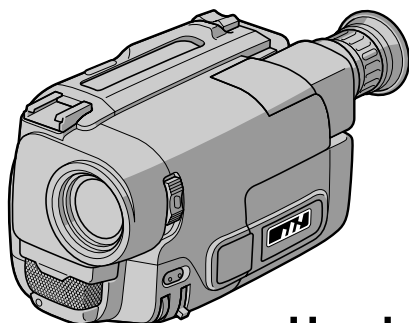


Video Camera Recorder

Operating Instructions

Before operating the unit, please read this manual thoroughly, and retain it for future reference.



Handycam Vision™

video Hi8

CCD-TRV64E Hi8

Welcome!

Congratulations on your purchase of this Sony Handycam Vision™ camcorder. With your Handycam Vision you can capture life's precious moments with superior picture and sound quality.

Your Handycam Vision is loaded with advanced features, but at the same time it is very easy to use. You will soon be producing home video that you can enjoy for years to come.

WARNING

To prevent fire or shock hazard, do not expose the unit to rain or moisture.

To avoid electrical shock, do not open the cabinet.
Refer servicing to qualified personnel only.

Table of contents

Before you begin

Using this manual	4
Checking supplied accessories	5

Getting started

Charging and installing the battery pack	6
Inserting a cassette	9

Basic operations

Camera recording	10
Using the zoom feature	13
Selecting the START/STOP mode	14
Shooting with the LCD screen	15
Letting the subject monitor the shot ...	16
Hints for better shooting	17
Checking the recorded picture	19
Playing back a tape	20
Searching for the end of the picture ...	23

Advanced operations

Using alternative power sources	24
Using the mains	24
Changing the mode settings	26
Fade-in and fade-out	30
Using the wide mode function	31
Enjoying picture effect	33
Focusing manually	35
Using the PROGRAM AE function	37
Shooting with backlighting	39
Adjusting the exposure	40
Releasing the STEADY SHOT function	41
Superimposing a title	42
Making your own titles	44
Recording with the date/time	45
Optimizing the recording condition ..	46
Watching on a TV screen	47
Editing onto another tape	48
Recording from a VCR or TV	50

Additional information

Changing the lithium battery in the camcorder	51
Resetting the date and time	53
Usable cassettes and playback modes	54
Tips for using the battery pack	55
Maintenance information and precautions	58
Using your camcorder abroad	63
Trouble check	64
Self-diagnosis function	68
Specifications	69
Identifying the parts	70
Warning indicators	77
Index	78

Before you begin

Using this manual

As you read through this manual, buttons and settings on the camcorder are shown in capital letters.

e.g. Set the POWER switch to CAMERA.

As indicated with b in the illustrations, you can hear the beep sound to confirm your operation.

Note on TV colour systems

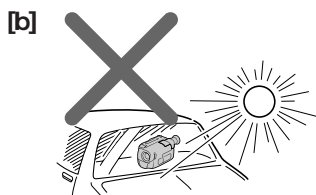
TV colour systems differ from country to country. To view your recordings on a TV, you need a PAL system-based TV.

Precaution on copyright

Television programmes, films, video tapes, and other materials may be copyrighted. Unauthorized recording of such materials may be contrary to the provision of the copyright laws.

Precautions on camcorder care

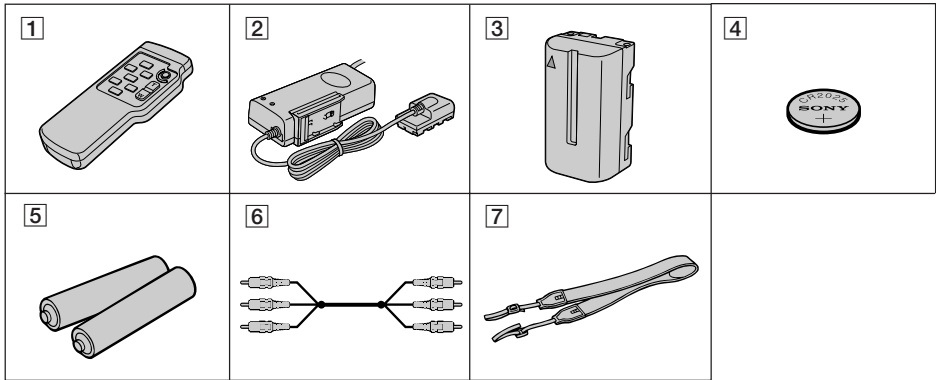
- The LCD screen and/or the colour viewfinder are manufactured using high-precision technology. However, there may be some tiny black points and/or bright points (red, blue or green in colour) that constantly appear on the LCD screen and/or in the viewfinder. These points are normal in the manufacturing process and do not affect the recorded picture in any way. Over 99.99% are operational for effective use.
- Do not let the camcorder get wet. Keep the camcorder away from rain and sea water. Letting the camcorder get wet may cause the unit to malfunction, and sometimes this malfunction cannot be repaired [a].
- Never leave the camcorder exposed to temperatures above 60°C (140°F), such as in a car parked in the sun or under direct sunlight [b].



Contents of the recording cannot be compensated if recording or playback is not made due to a malfunction of the camcorder, video tape, etc.

Checking supplied accessories

Check that the following accessories are supplied with your camcorder.



1 Wireless Remote Commander (1)
(p. 74)

2 AC-V316 AC power adaptor (1)
(p. 6,24)

3 NP-F530 Battery pack (1) (p. 6,24)

4 CR2025 Lithium Battery (1) (p. 51)
The lithium battery is already installed
in your camcorder.

5 R6 (size AA) battery for Remote
Commander (2) (p. 74)

6 A/V connecting cable (1) (p. 47,50)

7 Shoulder strap (1) (p. 75)

Charging and installing the battery pack

Before using your camcorder, you first need to charge and install the battery pack. To charge the battery pack, use the supplied AC power adaptor.

This camcorder operates with the “InfoLITHIUM” battery. If you use any other battery to operate your camcorder, the camcorder may not operate or the battery life may be shortened.

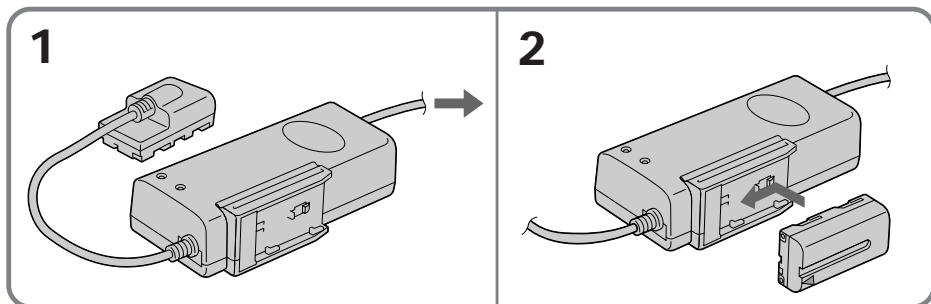
“InfoLITHIUM” is a trademark of Sony Corporation.

Charging the battery pack

Charge the battery pack on a flat surface without vibration.

- (1) Connect the mains lead to mains.
- (2) Align the surface of the battery pack indicated by the ► mark with the edge of the terminal shutter of the AC power adaptor. Then fit and slide the battery pack in the direction of the arrow. The CHARGE lamp (orange) lights up. Charging begins.

When the CHARGE lamp goes out, **normal charge** is completed. For **full charge**, which allows you to use the battery longer than usual, leave the battery pack in place for approximately one hour. Unplug the unit from the mains, then remove the battery pack and install it into the camcorder. You can also use the battery pack before it is completely charged.



Charging time

Battery pack	NP-F530 (supplied)	NP-F730	NP-F930
Charging time* (min.)	170 (110)	250 (190)	330 (270)

The time required for a normal charge is indicated in parentheses.

* Approximate minutes to charge an empty battery pack using the supplied AC power adaptor. (Lower temperatures require a longer charging time.)

Battery life

Upper numbers are the time when recording with the viewfinder. Lower numbers are the time when recording with the LCD screen. Using both will further reduce recording time.

Battery pack	NP-F530 (supplied)	NP-F730	NP-F930
Continuous recording time*	150 (135)	305 (275)	480 (435)
	110 (100)	255 (230)	400 (360)
Typical recording time**	85 (75)	175 (155)	275 (250)
	60 (55)	145 (130)	230 (205)
Playing time on LCD	110 (100)	255 (230)	400 (360)

Numbers in parentheses indicate the time when you use a normally charged battery. Battery life will be shorter if you use the camcorder in a cold environment.

* Approximate continuous recording time indoors.

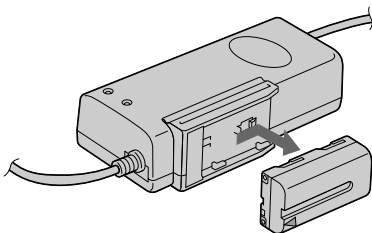
** Approximate minutes when recording while you repeat recording start/stop, zooming and turning the power on/off. The actual battery life may be shorter.

Notes on remaining battery time indication during recording

- Remaining battery time is displayed in the viewfinder or on the LCD screen. However, the indication may not be displayed properly, depending on using conditions and circumstances.
- When you close the LCD panel and open it again, it takes about 1 minute for the correct remaining time to be displayed.

To remove the battery pack

Slide the battery pack in the direction of the arrow.



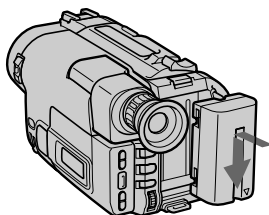
Notes on charging the battery pack

- The CHARGE lamp will remain lit for a while even if the battery pack is removed and the mains lead is unplugged after charging the battery pack. This is normal.
- If the CHARGE lamp does not light, disconnect the mains lead. After about one minute, reconnect the mains lead again.
- You cannot operate the camcorder using the AC power adaptor while charging the battery pack.
- When a fully charged battery pack is installed, the CHARGE lamp will light once, then go out.

Charging and installing the battery pack

Installing the battery pack

Align the grooves of the battery pack with the receptacles of the camcorder and slide the battery pack down until it catches on the battery release lever and clicks. Attach the battery pack to the camcorder securely.



Note on installing the NP-F930 battery pack

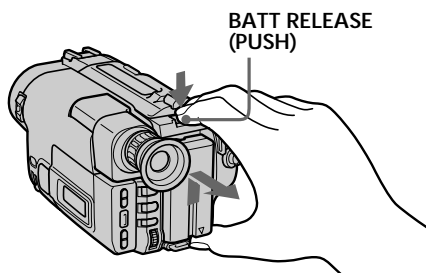
Use the camcorder while lifting up the viewfinder slightly.

Note on the battery pack

Do not carry the camcorder by grasping the battery pack.

To remove the battery pack

While pressing BATT RELEASE (PUSH), slide the battery pack in the direction of the arrow.

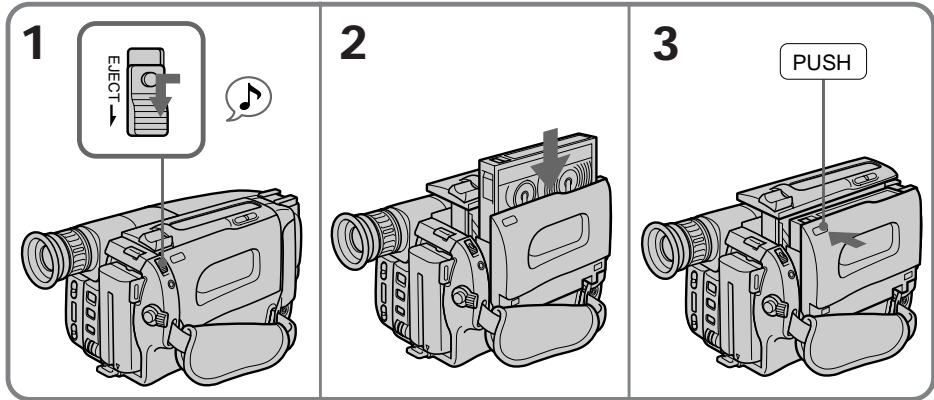


You can look at the demonstration of the functions available with this camcorder (p. 28).

Inserting a cassette

Make sure that the power source is installed. When you want to record in the Hi8 system, use Hi8 video cassette **Hi8**.



- (1) While pressing the small blue button on the EJECT switch, slide it in the direction of the arrow. The cassette compartment automatically lifts up and opens.
- (2) Insert a cassette with the window facing out.
- (3) Close the cassette compartment by pressing the "PUSH" mark on the cassette compartment. The cassette compartment automatically goes down.



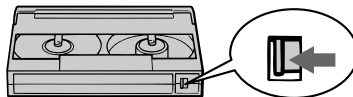
To eject the cassette

While pressing the small blue button on the EJECT switch, slide it in the direction of the arrow.


To prevent accidental erasure

Slide the tab on the cassette to expose the red mark. If you insert the cassette with the red mark exposed and close the cassette compartment, the beeps sound for a while. If you try to record with the red mark exposed, the  and  indicators flash, and you cannot record.

To re-record on this tape, slide the tab back out covering the red mark.



Camera recording

Make sure that the power source is installed and a cassette is inserted and that the START/STOP MODE switch inside the LCD panel is set to . Before you record one-time events, you may want to make a trial recording to make sure that the camcorder is working correctly.

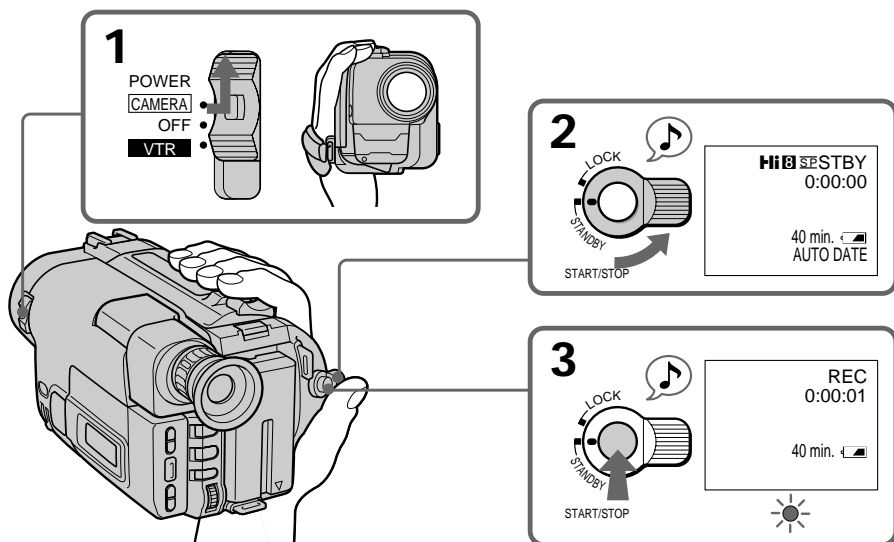
When you use the camcorder for the first time, power on it and reset the date and time to your time before you start recording (p. 53).

The date is automatically recorded for 10 seconds after you start recording (AUTO DATE feature).

- (1) While pressing the small green button on the POWER switch, set it to CAMERA.
- (2) Turn STANDBY up to STANDBY.
- (3) Press START/STOP. The camcorder starts recording. The “REC” indicator appears and the red lamp lights up in the viewfinder. The camera recording/battery lamp located on the front of the camcorder also lights up.

You can also select Recording mode, SP (standard mode) or LP (long play) mode.

Set REC MODE in the menu system according to the length of your planned recording before you start.

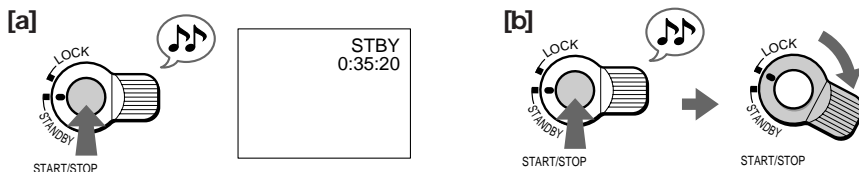


To stop recording momentarily [a]

Press START/STOP again. The “STBY” indicator appears in the viewfinder (Standby mode).

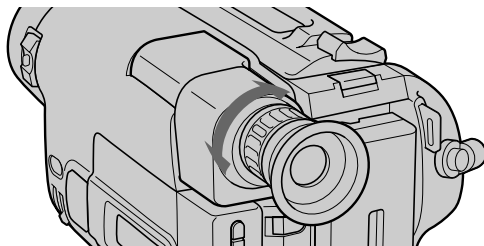
To finish recording [b]

Press START/STOP again. Turn STANDBY down to LOCK and set the POWER switch to OFF. Then, eject the cassette and remove the battery pack.



To focus the viewfinder lens

If you cannot see the indicators in the viewfinder clearly, or after someone else has used the camcorder, focus the viewfinder lens. Turn the viewfinder lens adjustment ring so that the indicators in the viewfinder come into sharp focus.



Note on Standby mode

If you leave the camcorder in Standby mode for 5 minutes while the cassette is inserted, the camcorder turns off automatically. This prevents wearing down the battery and wearing out the tape. To resume Standby mode, turn STANDBY down and up again. To start recording, press START/STOP.

Notes on recording mode

- This camcorder records and plays back in SP (standard play) mode and in LP (long play) mode. The playback quality in LP mode, however, will not be as good as that in SP mode.
- When a tape recorded on this camcorder in LP mode is played back on other types of 8mm camcorders or VCRs, the playback quality may not be as good as that on this camcorder.

Note on recording

When you record from the beginning of a tape, run the tape for about 15 seconds before starting the actual recording. This will ensure that you won't miss any start-up scenes when you play back the tape.

Notes on the tape counter

- The tape counter indicates the recording or playback time. Use it as a guide. There will be a time lag of several seconds from the actual time. To set the counter to zero, press COUNTER RESET.
- If the tape is recorded in SP and LP modes mixed, the tape counter shows incorrect recording time. When you intend to edit the tape using the tape counter as a guide, record in same (SP or LP) mode.

Note on the beep sound

As indicated with ♪ in the illustration, a beep sounds when you turn the power on or when you start recording, and two beeps sound when you stop recording, confirming the operation. Several beeps also sound as a warning of any unusual condition of the camcorder.

Note that the beep sound is not recorded on the tape. If you do not want to hear the beep sound, select "OFF" in the menu system.

Note on the AUTO DATE feature

The clock is set at the factory to Sydney time for Australia and New Zealand models, to Tokyo time for the models sold in Japan, and to Hong Kong time for other models. You can reset the clock in the menu system. You can change the AUTO DATE settings by selecting ON or OFF in the menu system. The AUTO DATE feature shows the date automatically once a day.

However, the date may automatically appear more than once a day when:

- you reset the date and time.
- you eject and insert the tape again.
- you stop recording within 10 seconds.
- you set AUTO DATE to OFF once and set it to ON again in the menu system.

When moving from indoors to outdoors (or vice versa)

Turn STANDBY up and point the camcorder at a white object for about 15 seconds so that the white balance is properly adjusted.

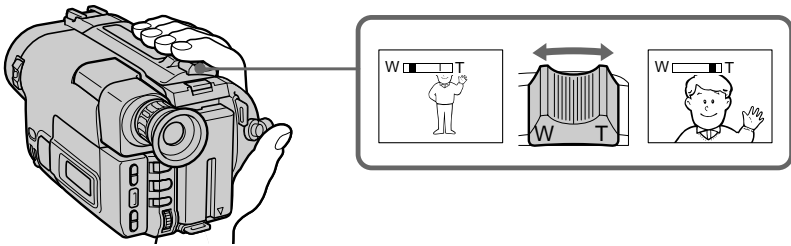
Using the zoom feature

Zooming is a recording technique that lets you change the size of the subject in the scene.

For more professional-looking recordings, use the zoom function sparingly.

“T” side: for telephoto (subject appears closer)

“W” side: for wide-angle (subject appears farther away)



Zooming speed (Variable speed zooming)

Move the power zoom lever a little for a slower zoom, move it further for a faster zoom.

When you shoot a subject using a telephoto zoom

If you cannot get a sharp focus while in extreme telephoto zoom, move the power zoom lever to the “W” side until the focus is sharp. You can shoot a subject that is at least about 80 cm (about 2 5/8 feet) away from the lens surface in the telephoto position, or about 1 cm (about 1/2 inch) away in the wide-angle position.

Notes on digital zoom

- More than 15x zoom is performed digitally, and the picture quality deteriorates as you go toward the “T” side. If you do not want to use the digital zoom, set the D ZOOM function to OFF in the menu system.
- The right side [a] of the power zoom indicator shows the digital zooming zone, and the left side [b] shows the optical zooming zone. If you set the D ZOOM function to OFF, the [a] zone disappears.




Selecting the START/STOP mode

Your camcorder has two modes besides normal start/stop mode. These modes enable you to take a series of quick shots resulting in a lively video.

(1) While pressing OPEN, open the LCD panel.

(2) Set START/STOP MODE to the desired mode.

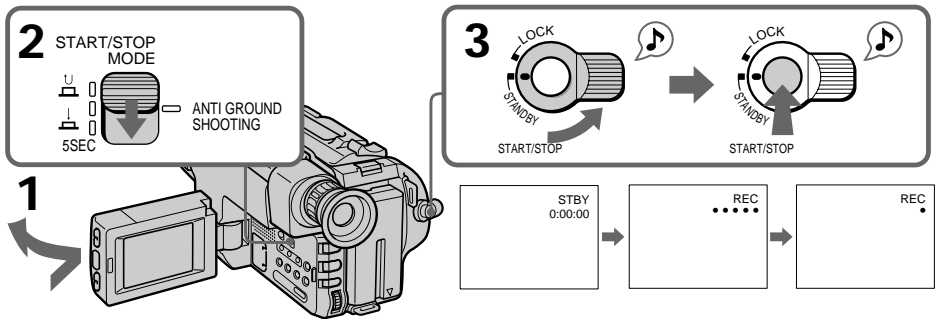
 : Recording starts when you press START/STOP, and stops when you press it again (normal mode).

ANTI GROUND SHOOTING  : The camcorder records only while you press down START/STOP so that you can avoid recording unnecessary scenes.

5SEC: When you press START/STOP, the camcorder records for 5 seconds and then stops automatically.

(3) Turn STANDBY up to STANDBY and press START/STOP. Recording starts.


If you selected 5SEC, the remaining tape indicator disappears and five dots appear. The dots disappear at a rate of one per second as illustrated below.



To extend the recording time in 5SEC mode

Press START/STOP again before all the dots disappear. Recording continues for about 5 seconds from the moment you press START/STOP.

Notes on START/STOP mode

- If you have turned off the indicators on the LCD screen, the dots do not appear.
- You cannot use FADER in 5SEC or  mode.

Shooting with the LCD screen

You can also record the picture while looking at the LCD screen. When using the LCD screen, the viewfinder turns off automatically. You cannot monitor the sound from the speaker during recording.

- (1) While pressing OPEN, open the LCD panel.
- (2) Adjust the angle of the LCD panel.

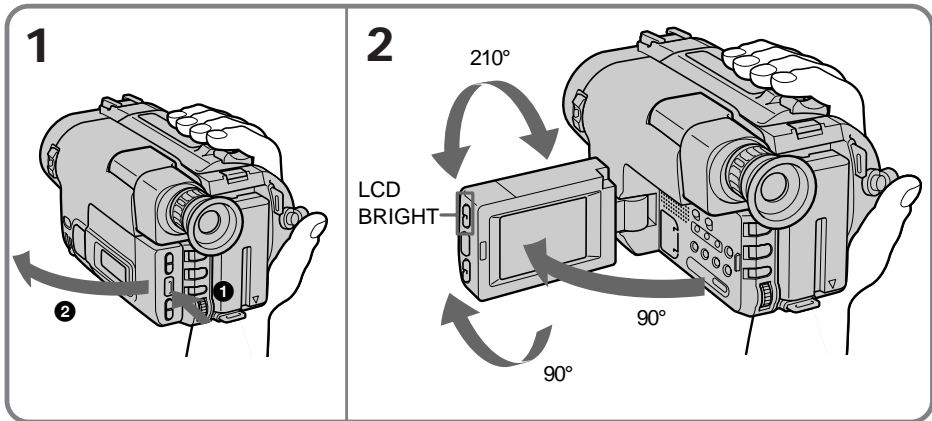
The LCD panel moves about 90 degrees to this side and about 210 degrees to the other side.

To adjust the brightness of the LCD screen, press LCD BRIGHT.

+ side: to brighten the LCD screen

- side: to dim the LCD screen

The battery life is longer when the LCD panel is closed. Use the viewfinder instead of the LCD screen to save the battery power.

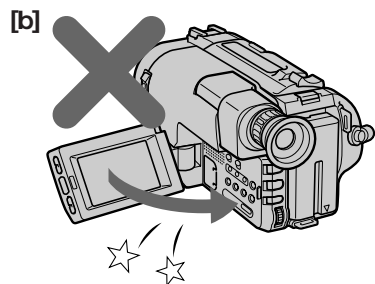
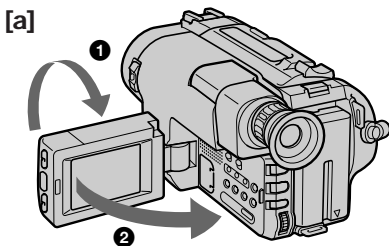


Backlighting the LCD screen

If the LCD screen is insufficiently illuminated even after adjusting LCD BRIGHT, select LCD B. L. in the menu system and set to BRIGHT. You can select LCD B. L. only while using the battery pack as a power source.

Notes on the LCD panel

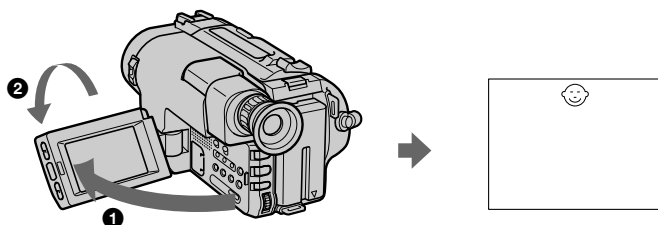
- When closing the LCD panel, turn it vertically until it clicks [a].
- When turning the LCD panel, turn it always vertically; otherwise, the camcorder body may be damaged or the LCD panel may not close properly [b].
- Close the LCD panel completely when not in use.



Letting the subject monitor the shot

You can turn the LCD panel over so that it faces the other way and you can let the subject monitor the shot while shooting with the viewfinder.

Turn the LCD panel vertically first until it clicks, then turn it over. The ☺ indicator appears on the LCD screen (Mirror mode) and the date and remaining tape indicators disappear.



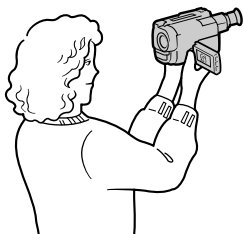
To Cancel Mirror Mode

Turn the LCD panel back toward the viewfinder.

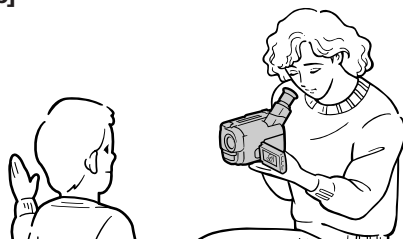
Notes on mirror mode

- When you turn the LCD panel about 135 degrees to 210 degrees, the camcorder enters mirror mode.
- Using the mirror mode, you can record yourself while watching yourself on the LCD [a].
- The picture on the LCD looks as a mirror-image while recording in mirror mode [b]. The STBY indicator appears as ●■■ and REC as ●. The other indicators may not appear in mirror mode.
- While recording in mirror mode, you cannot operate the following buttons: TITLE, DATE, TIME and MENU.
- The date appears in reverse when the AUTO DATE feature is turned on. When recorded it will be normal.

[a]



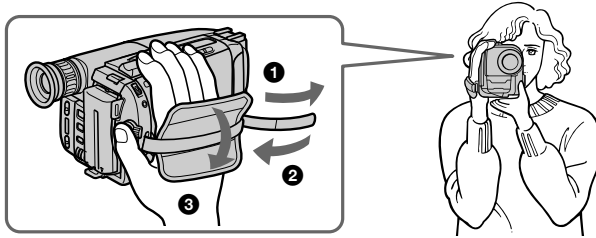
[b]



Hints for better shooting

For hand-held shots, you'll get better results by holding the camcorder according to the following suggestions:

- Hold the camcorder firmly and secure it with the grip strap so that you can easily manipulate the controls with your thumb.



- Place your right elbow against your side.
- Place your left hand under the camcorder to support it. Be sure to not touch the built-in microphone.
- Place your eye firmly against the viewfinder eyecup.
- Use the viewfinder frame as a guide to determine the horizontal plane.
- You can also record in a low position to get an interesting angle. Lift the viewfinder up for recording from a low position [a].
- You can also record in a low position or even in a high position using the LCD panel [b].
- When you use the LCD screen outdoors in direct sunlight, the LCD screen may be difficult to see. If this happens, we recommend that you use the viewfinder.



Place the camcorder on a flat surface or use a tripod

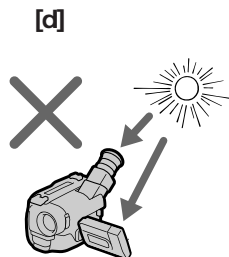
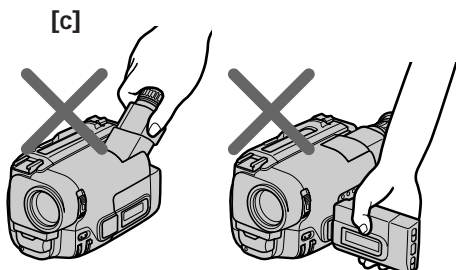
Try placing the camcorder on a table top or any other flat surface of suitable height. If you have a tripod for a still camera, you can also use it with the camcorder.

When attaching a non-Sony tripod, make sure that the length of the tripod screw is less than 6.5 mm (9/32 inch). Otherwise, you cannot attach the tripod securely and the screw may damage the camcorder.

Hints for better shooting

Cautions on the viewfinder and the LCD

- Do not pick up the camcorder by the viewfinder or by the LCD panel [c].
- Do not place the camcorder so as to point the viewfinder or the LCD screen toward the sun. The inside of the viewfinder may be damaged. Be careful when placing the camcorder under sunlight or by a window [d].



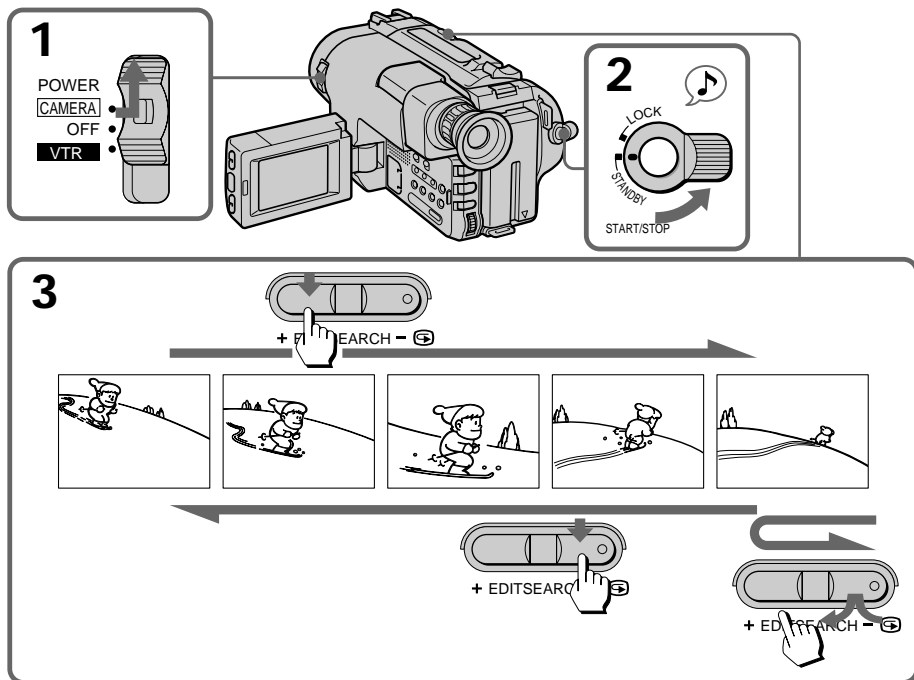
Checking the recorded picture

Using EDITSEARCH, you can review the last recorded scene or check the recorded picture in the viewfinder or on the LCD screen.

- (1) While pressing the small green button on the POWER switch, set it to CAMERA.
- (2) Turn STANDBY up to STANDBY.
- (3) Press the - (SEARCH) side of EDITSEARCH momentarily; the last few seconds of the recorded portion play back (Rec Review).

You can monitor the sound from the speaker or headphones.

Hold down the - side of EDITSEARCH until the camcorder goes back to the scene you want. The last recorded portion is played back. To go forward, hold down the + side (Edit Search).



To stop playback

Release EDITSEARCH.

To go back to the last recorded point after edit search

Press END SEARCH. The last recorded point is played back for about 5 seconds (10 seconds in LP mode) and stops. Note that this function does not work once you eject the cassette after you recorded on the tape.

To begin re-recording

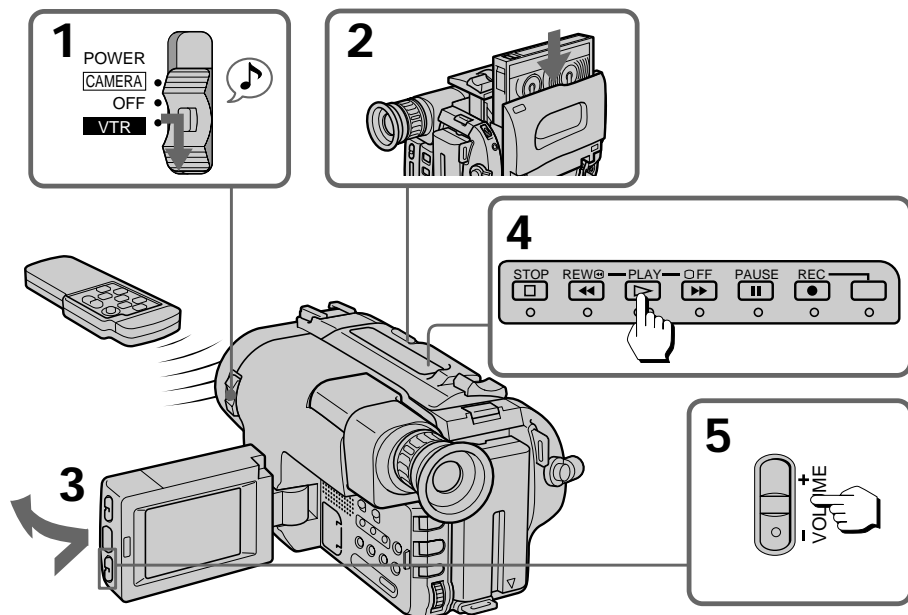
Press START/STOP. Re-recording begins from the point you released EDITSEARCH. Provided you do not eject the cassette, the transition between the last scene you recorded and the next scene you record will be smooth.

Playing back a tape

You can monitor the playback picture on the LCD screen.

- (1) While pressing the small green button on the POWER switch, set it to VTR.
The video control buttons light up.
- (2) Insert the recorded tape with the window facing out.
- (3) While pressing OPEN, open the LCD panel. Adjust the angle of the LCD panel or the brightness of the LCD screen if necessary.
- (4) Press \blacktriangleright to start playback.
- (5) Adjust the volume using VOLUME.

You can also monitor the picture on a TV screen, after connecting the camcorder to a TV or VCR.



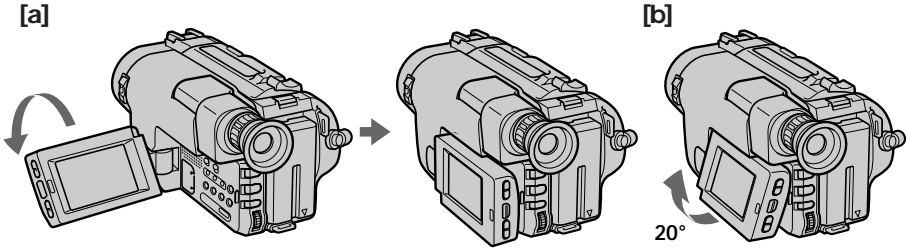
To stop playback, press \square .

To rewind the tape, press \blacktriangleleft .

To fast-forward the tape rapidly, press \blacktriangleright .

When monitoring on the LCD screen

You can turn the LCD panel over and move back to the camcorder with the LCD screen facing out [a]. You can adjust the angle of the LCD screen by turning the LCD screen up to 20 degrees [b].



Using the remote commander

You can control playback using the supplied Remote Commander. Before using the Remote Commander, insert the R6 (size AA) batteries.

Note on DISPLAY button

Press DISPLAY to display the screen indicators on the LCD screen. To erase the indicators, press DISPLAY again. If the POWER switch is set to CAMERA, you can erase the indicator by pressing DISPLAY.

Using headphones

Connect headphones (not supplied) to the \odot jack. You can adjust the volume using VOLUME. When you use headphones, the speaker on the camcorder is silent.

To view the playback picture in the viewfinder

Close the LCD panel. The viewfinder turns on automatically. When using the viewfinder, you can monitor sound only by using headphones. To view on the LCD screen again, open the LCD panel. The viewfinder turns off automatically.

Note on the lens cover

The lens cover does not open when the POWER switch is set to VTR. Do not open the lens cover manually. It may cause malfunction.

Various playback modes

You can enjoy clear pictures on the LCD screen during still, slow and picture search. (Crystal-clear still/slow/picture search)

To view a still picture (playback pause)

Press **II** during playback. To resume playback, press **II** or **▷**.

To locate a scene (picture search)

Keep pressing **◀◀** or **▶▶** during playback. To resume normal playback, release the button.

To monitor the high-speed picture while advancing the tape or rewinding (skip scan)

Keep pressing **◀◀** while rewinding or **▶▶** while advancing the tape. To resume normal playback, press **▷**.

To view the picture at 1/5 speed (slow playback)

Press **1/5** on the Remote Commander during playback. To resume normal playback, press **▶**. If slow playback lasts for about 1 minute, it shifts to normal speed automatically.

To select the playback sound

Change the “HiFi SOUND” mode setting in the menu system.

Notes on playback

- Streaks appear and the sound is muted in the various playback modes.
- When playback pause mode lasts for 5 minutes, the camcorder automatically enters stop mode.

Searching for the end of the picture

You can go to the end of the recorded portion after you record and play back the tape to make the transition between the last scene you recorded and the next scene smooth.

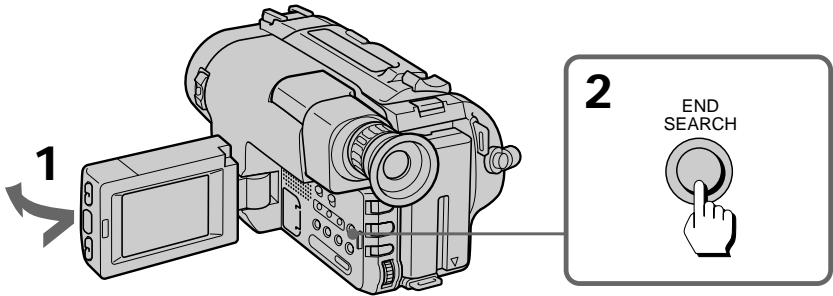
The tape starts rewinding or fast-forwarding and the last 5 seconds (10 seconds in LP mode) of the recorded portion play back. Then the tape stops at the end of the recorded picture (**End Search**).

Note that the End Search function does not work once you eject the cassette after you have recorded on the tape.

(1) While pressing OPEN, open the LCD panel.

(2) Press END SEARCH.

This function works when the POWER switch is set to either CAMERA or VTR.



If you start recording after using END SEARCH

Occasionally, the transition between the last scene you recorded and the next scene may not be smooth.

Using alternative power sources

You can choose any of the following power sources for your camcorder: battery pack, the mains and 12/24 V car battery. Choose the appropriate power source depending on where you want to use your camcorder.

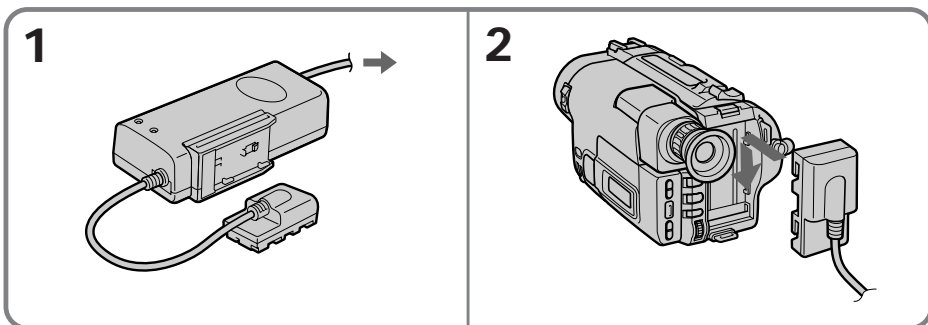
Place	Power source	Accessory to be used
Indoors	Mains	Supplied AC power adaptor
Outdoors	Battery pack	Battery pack NP-F530 (supplied), NP-F730, NP-F930
In the car	12 V or 24 V car battery	Sony car battery charger DC-V515A

Note on power sources

Disconnecting the power source or removing the battery pack during recording or playback may damage the inserted tape. If this happens, restore the power supply again immediately.

Using the mains

- (1) Connect the mains lead to the mains.
- (2) Slide the connecting plate down into the guides at the rear of the camcorder until it clicks.



To remove the connecting plate

The connecting plate is removed in the same way as the battery pack.

WARNING

The mains lead must only be changed at a qualified service shop.

PRECAUTION

The set is not disconnected from the AC power source (mains) as long as it is connected to the mains, even if the set itself has been turned off.

Notes on the VTR/CAMERA lamp

- The VTR/CAMERA lamp will remain lit for a while even if the unit is unplugged after use. This is normal.
- If the VTR/CAMERA lamp does not light, disconnect the mains lead. After about one minute, reconnect the mains lead.

Using alternative power sources

Using a car battery

Use Sony DC-V515A car battery charger (not supplied). Connect the car battery cord to the cigarette lighter socket of a car (12 V or 24 V). Connect the car battery cord to the camcorder in the same way as you connect the AC power adaptor.

To remove the car battery charger

The car battery charger is removed in the same way as the AC power adaptor.



This mark indicates that this product is a genuine accessory for Sony video products.

When purchasing Sony video products, Sony recommends that you purchase accessories with this "GENUINE VIDEO ACCESSORIES" mark.

Changing the mode settings

You can change the mode settings in the menu system to further enjoy the features and functions of the camcorder.

- (1) Press MENU to display the menu.
- (2) Turn the control dial to select the desired item, then press the dial.
- (3) Turn the control dial to select the desired mode, and press the dial. If you want to change the other modes, repeat steps 2 and 3.
- (4) Press MENU to erase the menu display.

1

CAMERA	VTR
MENU	MENU
WIND COMMANDER OFF	COMMANDER ON
ORC TO SET	EDIT
REC MODE	HIFI SOUND
TITLE COL	REC MODE
TITLE POS	NTSC PB
TITLE 1 SET	TBC
↓	DNR
[MENU]: END	↓
	[MENU]: END

2

1

MENU	WIND COMMANDER OFF
ORC TO SET	MENU
REC MODE	COMMANDER ON
TITLE COL	WIND
TITLE POS	TITL
TITLE 1 SET	TITL
↓	OP TO SET
[MENU]: END	RE MENU
	T11 ↑
	T11 TITLE1 SET
	T11 TITLE2 SET
	D ZOOM
	LCD B.L.
	LCD COLOUR
	BEEP DISPLAY ON
	↓
	[MENU]: END

2

MENU	BEEP ON
	OFF
	[MENU]: END

3

1

MENU	BEEP ON
	OFF
	[MENU]: END

2

MENU	↑
	TITLE1 SET
	TITLE2 SET
	D ZOOM
	LCD B.L.
	LCD COLOUR
	BEEP DISPLAY OFF
	↓
	[MENU]: END

4

MENU

While recording in mirror mode
The menu does not appear on the LCD screen.

Selecting the mode setting of each item

Items for both CAMERA and VTR modes

COMMANDER <ON/OFF>

- Select ON when using the supplied Remote Commander for the camcorder.
- Select OFF when not using the Remote Commander.

REC MODE* <SP/LP>

- Select SP when recording in SP (standard play) mode.
- Select LP when recording in LP (long play) mode.

LCD B. L.* <BRT NORMAL/BRIGHT>

- Normally select BRT NORMAL.
- Select BRIGHT when the LCD screen is dark.

When you select BRIGHT, battery life is about 10 percent shorter during recording.

When you use the power sources other than the battery pack, BRIGHT is automatically selected, and LCD B. L. is not displayed in the menu.

LCD COLOUR*

Select this item to adjust the colour on the LCD screen.

BEEP* <ON/OFF>

- Select ON so that beeps sound when you start/stop recording, etc.
- Select OFF when you do not want to hear the beep sound.

DISPLAY*

- Normally select LCD. The display appears on the LCD screen.
- Select V-OUT/LCD to show the display both on the TV screen and LCD screen.

Items for CAMERA mode only

WIND <ON/OFF>

- Select ON to reduce wind noise when recording in strong wind.
- Normally select OFF.

ORC TO SET*

Select this item to automatically adjust the recording condition to get the best possible recording.

If you have already performed this function, "ORC ON" is displayed.

TITLE COL* <WHITE/YELLOW/VIOLET/RED/CYAN/GREEN/BLUE>

Select the colour of the title.

TITLE POS* <CENTER/BOTTOM>

- Select CENTER to centre the title in the picture.
- Select BOTTOM to position the title at the bottom of the picture.

TITLE1 SET*/TITLE2 SET*

Store your own titles.

Changing the mode settings

D ZOOM* <ON/OFF>

- Select ON to activate digital zooming.
- Select OFF to not use the digital zoom. The camcorder goes back to 15x zoom.

REC LAMP* <ON/OFF>

- Select OFF when you do not want the camera recording/battery lamp at the front of the unit to light up.
- Normally select ON.

AUTO DATE* <ON/OFF>

- Select ON to record the date for 10 seconds after recording has started.
- Select OFF to not record the date.

CLOCK SET*

Reset the date or time.

DEMO MODE* <ON/OFF>

- Select ON to make the demonstration appear.
- Select OFF to deactivate the demonstration mode.

Notes on DEMO MODE

- DEMO MODE is set to STBY (Standby) at the factory and the demonstration starts about 10 minutes after you set the POWER switch to CAMERA without inserting a cassette.
Note that you cannot select STBY of DEMO MODE in the menu system.
- You cannot select DEMO MODE when a cassette is inserted in the camcorder.
- If you insert a cassette during the demonstration, the demonstration stops. You can start recording as usual. DEMO MODE automatically returns to STBY.

To look at the demonstration at once

Eject the cassette, if inserted. Select ON of DEMO MODE and erase the menu display. The demonstration will begin.

When you turn off the camcorder once, DEMO MODE automatically returns to STBY.

Items for VTR mode only

EDIT <ON/OFF>

- Select ON to minimize picture deterioration when editing.
- Normally select OFF.

HiFi SOUND <STEREO/1/2>

- Normally select STEREO.
- Select 1 or 2 to play back a dual sound track tape.

NTSC PB* <ON PAL TV/NTSC 4.43>

- Normally select ON PAL TV.
- Select NTSC 4.43 when playing back a tape recorded in the NTSC colour system.
When you play back on a Multi System TV, select the best mode while watching the picture on the TV.

TBC* <ON/OFF>

- Normally select ON, to correct for jitter.
- Select OFF to not correct for jitter. The picture may not be steady when played back.

Note on TBC setting

Set TBC to OFF when:

- Playing back a tape you have dubbed over.
- Playing back a tape on which you recorded the signal of a TV game or similar machine.
- The playback picture fluctuates.

DNR* <ON/OFF>

- Normally select ON to reduce picture noise.
- Select OFF if the picture has a lot of movement, causing a conspicuous afterimage.

The following settings work only during playback

EDIT, HiFi SOUND, TBC, and DNR.

* These settings are retained even when the battery is removed, as long as the lithium battery is in place.

Fade-in and fade-out

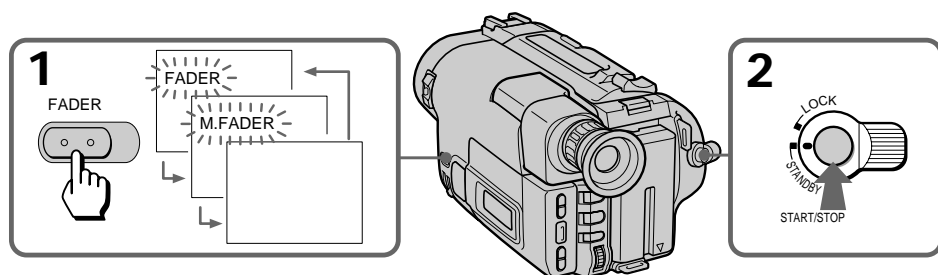
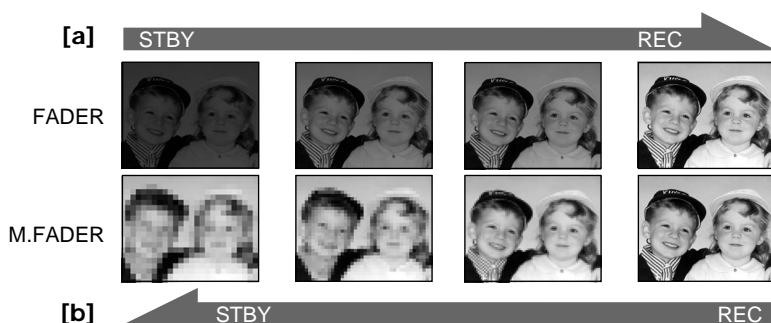
You can fade in or out to give your recording a professional appearance. When fading in, the picture gradually fades in from black or mosaic while the sound increases. When fading out, the picture gradually fades to black or mosaic while the sound decreases.

When fading in [a]

- (1) While the camcorder is in Standby mode, press FADER until the FADER or M. (mosaic) FADER indicator flashes.
- (2) Press START/STOP to start recording. The fade indicator stops flashing.

When fading out [b]

- (1) During recording, press FADER until the FADER or M. (mosaic) FADER indicator flashes.
- (2) Press START/STOP to stop recording. The fade indicator stops flashing, and then recording stops.



To cancel the fade-in/fade-out function

Before pressing START/STOP, press FADER until the fade indicator disappears.

When the date or time indicator is displayed

The date or time indicator does not fade in or fade out.

When the title is displayed

You cannot use the fader function. When FADER is set, you cannot superimpose a title.

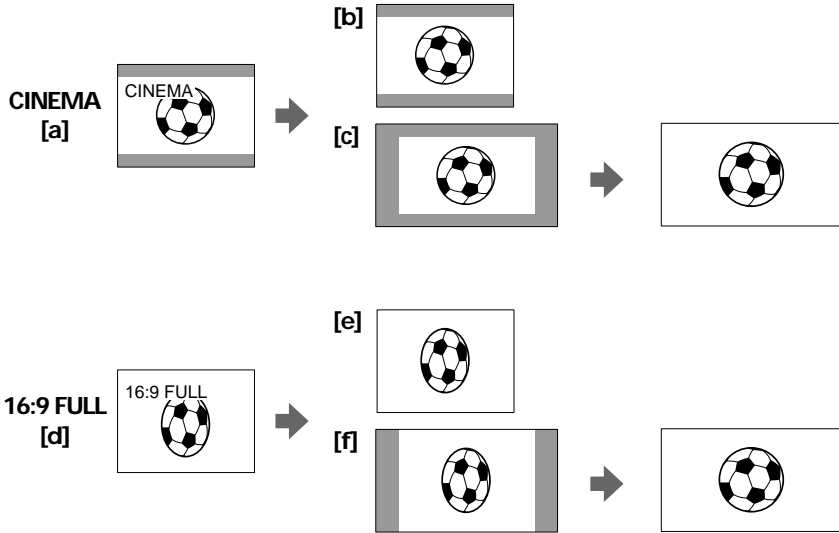
When the START/STOP MODE switch is set to 5SEC or

You cannot use the fader function.

Using the wide mode function

Selecting the desired mode

You can record a cinemalike picture (CINEMA) or a 16:9 wide picture to watch on the 16:9 wide-screen TV (16:9 FULL).



CINEMA

Black bands appear at the top and the bottom of the screen, and the viewfinder or LCD screen [a] and a normal TV screen [b] look wide. You can also watch the picture without black bands on a wide-screen TV [c].

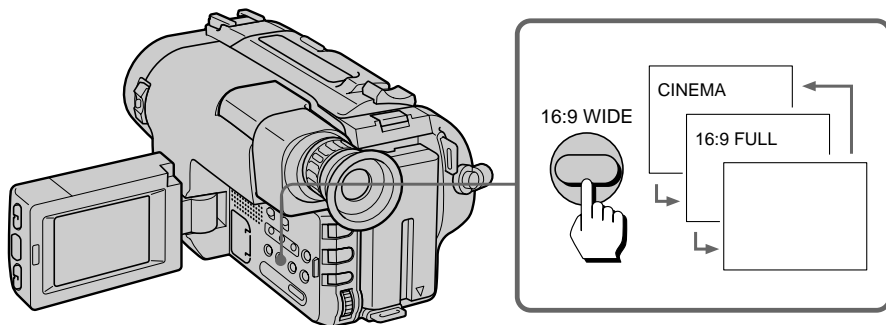
16:9 FULL

The picture in the viewfinder or LCD screen [d] or on a normal TV [e] is horizontally compressed. You can watch the picture of normal images on a wide-screen TV [f].

Using the wide mode function

Using the wide mode function

While the camcorder is in Standby mode, press 16:9 WIDE repeatedly so that the desired mode indicator appears in the viewfinder or on the LCD screen.



To cancel wide mode


Press 16:9 WIDE repeatedly until the wide mode indicator disappears.

To watch the tape recorded in wide mode

To watch the tape recorded in CINEMA mode, set the screen mode of the wide-screen TV to zoom mode. To watch the tape recorded in 16:9 FULL mode, set it to full mode. For details, refer to the instruction manual of your TV.

Note that the picture recorded in 16:9 FULL mode looks compressed on a normal TV.

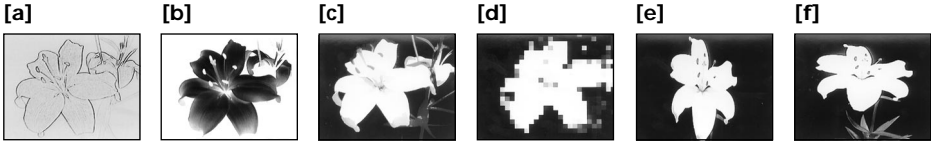
Notes on wide mode

- If wide mode is set to 16:9 FULL, the Steady Shot function does not work and the  indicator flashes.
- When you record in 16:9 FULL mode, the date or time indicator will be widened on the wide-screen TV.
- If you dub a tape, the tape is copied in the same mode as the original recording.
- The wide mode is canceled automatically 5 minutes after you remove the power source.
- When recording, you cannot change the mode.

Enjoying picture effect

Selecting picture effect

You can make pictures like those of television with the Picture Effect function.



PASTEL [a]

The contrast of the picture is emphasized, and the picture looks like an animated cartoon.

NEG. ART [b]

The colour and brightness of the picture is reversed.

SEPIA

The picture is sepia.

B&W

The picture is monochrome (black and white).

SOLARIZE [c]

The light intensity is more clear, and the picture looks like an illustration.

MOSAIC [d]

The picture is mosaic.

SLIM [e]

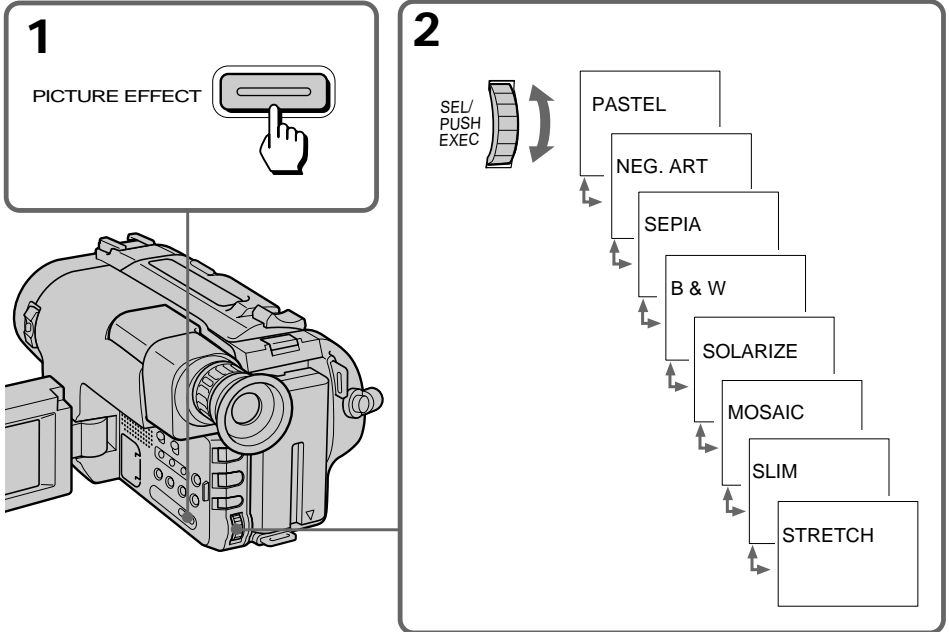
The picture expands vertically.

STRETCH [f]

The picture expands horizontally.

Using picture effect function

- (1) Press PICTURE EFFECT.
- (2) Turn the control dial to select the desired picture effect mode.



To turn off picture effect

Press PICTURE EFFECT. The indicator in the viewfinder or on the LCD screen goes out.

Note on the picture effect

When you turn the power off, the camcorder returns automatically to normal mode.

Focusing manually

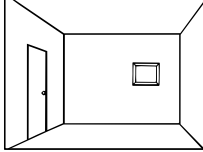
When to use manual focus

In the following cases you should obtain better results by adjusting the focus manually.

[a]



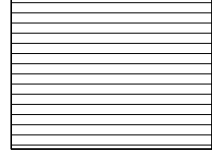
[b]



[c]




[d]

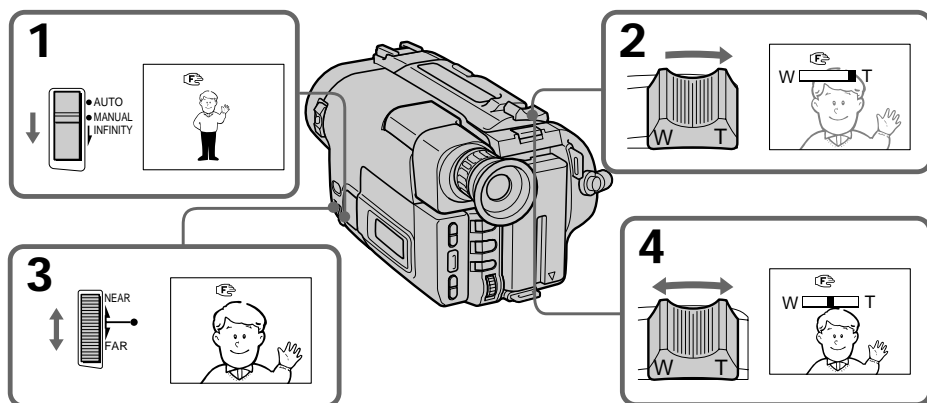


- Insufficient light [a]
- Subjects with little contrast - walls, sky, etc. [b]
- Too much brightness behind the subject [c]
- Horizontal stripes [d]
- Subjects through frosted glass
- Subjects beyond nets, etc.
- Bright subject or subject reflecting light
- Shooting a stationary subject when using a tripod


Focusing manually

When focusing manually, first focus in telephoto before recording, and then reset the shot length.

- (1) Set FOCUS to MANUAL. The  indicator appears in the viewfinder.
- (2) Move the power zoom lever to the “T” side until the lever reaches the end.
- (3) Turn the NEAR/FAR dial to achieve a sharp focus.
- (4) Set the desired shot length using the power zoom lever.



To return to autofocus mode

Set FOCUS to AUTO. The  indicator in the viewfinder disappears.

Shooting in relatively dark places

Shoot at wide-angle after focusing in the telephoto position.



To record a very distant subject

Push FOCUS down to INFINITY. The lens focuses on the most distant subject while FOCUS is held down. When it is released, manual focus mode is resumed.

Use this function when shooting through a window or a screen, to focus on a most distant subject.

Notes on manual focusing

The following indicators may appear:

-  when recording a very distant subject.
-  when the subject is too close to focus on.

Using the PROGRAM AE function

Selecting the best mode

You can select one of six PROGRAM AE (Auto Exposure) modes to suit your shooting situation, referring to the following.



Spotlight mode

For subjects in spotlight, such as at the theatre or a formal event.

Soft Portrait mode

For zooming in on a still subject in telephoto mode, or for a subject behind an obstacle such as a screen. Creates a soft background for subjects such as people or flowers, and faithfully reproduces skin colour.

Sports Lesson mode

For recording fast-moving subjects such as in tennis or golf games.

Beach & Ski mode

For people or faces in strong light or reflected light, such as at a beach in midsummer or on a ski slope.

Sunset & Moon mode

For recording subjects in dark environments such as sunsets, fireworks, neon signs, or general night views.

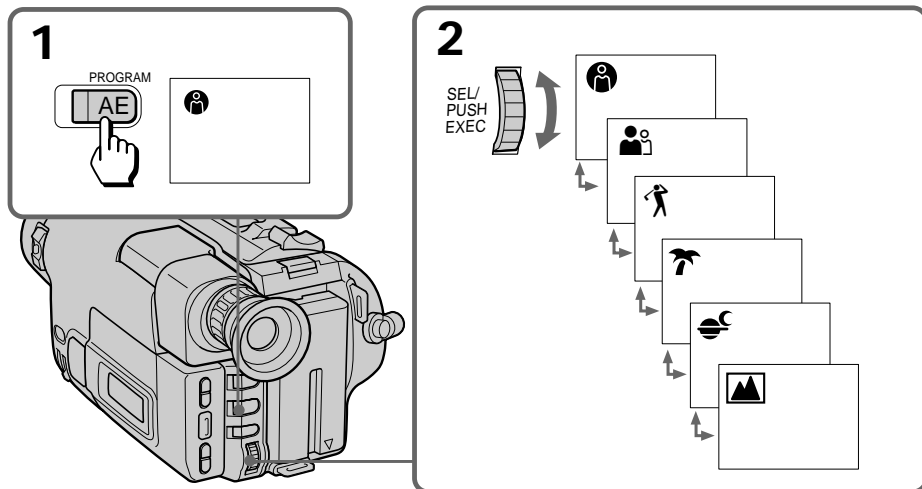
Landscape mode

For distant subjects such as mountains or when recording a subject behind an obstacle such as a window or screen.

Using the PROGRAM AE function

Using the PROGRAM AE function

- (1) Press PROGRAM AE.
- (2) Turn the control dial to select the desired PROGRAM AE mode.



To turn off program AE

Press PROGRAM AE.

Notes on focus setting

- In the Spotlight, Sports lesson and Beach & Ski modes, you cannot take close-ups because the camcorder is set to focus only on subjects in the middle to far distance.
- In the Sunset & Moon and Landscape modes, the camcorder is set to focus only on distant subjects.

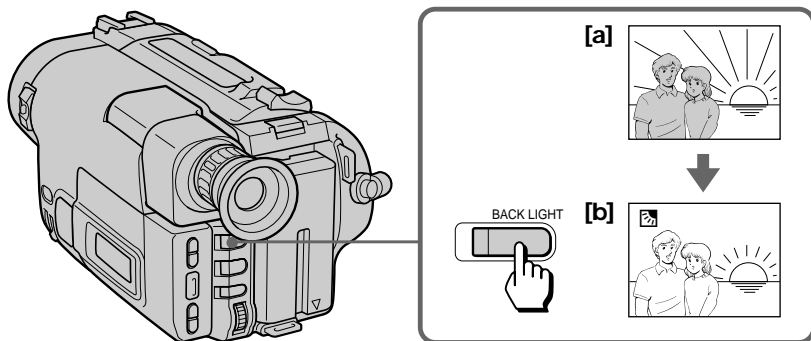
Note on PROGRAM AE

You can adjust the exposure while recording using PROGRAM AE mode.

Shooting with backlighting

When you shoot a subject with the light source behind the subject or a subject with a light background, use the BACK LIGHT function.


Press BACK LIGHT. The  indicator appears in the viewfinder or on the LCD screen.



[a] Subject is too dark because of backlight.

[b] Subject becomes bright with backlight compensation.

After shooting

Be sure to release this adjustment condition by pressing BACK LIGHT again. The  indicator disappears. Otherwise, the picture will be too bright under normal lighting conditions.

This function is also effective under the following conditions:

- On snow, e.g. at a ski resort
- At the beach under strong sunshine
- A subject with a light source nearby or a mirror reflecting light
- A white subject against a white background. Especially when you shoot a person wearing shiny clothes made of silk or synthetic fiber, his or her face tends to become dark if you do not use this function.

To make a fine adjustment

You can adjust the exposure manually. However, when you adjust the exposure manually, BACK LIGHT does not operate.

Adjusting the exposure

When to adjust the exposure

Adjust the exposure manually under the following cases.

[a]



[a]

- The background is too bright (back lighting)
- Insufficient light: most of the picture is dark

[b]



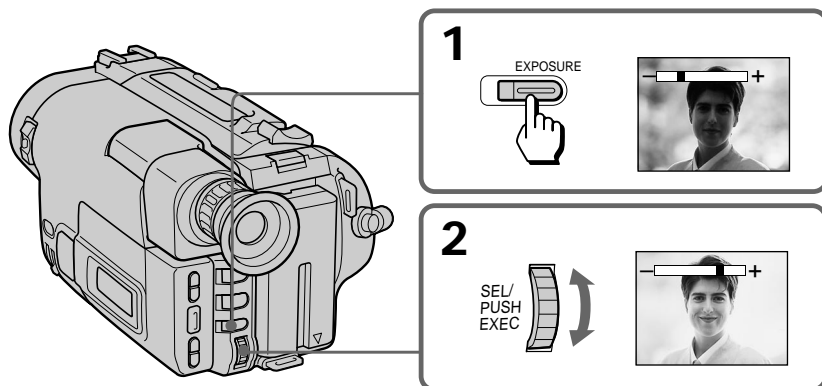
[b]

- Bright subject and dark background
- To record the darkness faithfully

Adjusting the exposure

(1) Press EXPOSURE.

(2) Turn the control dial to adjust the brightness.



To return to automatic exposure mode

Press EXPOSURE again.

Shooting with the sun behind you

If the light source is behind your subject, or in the following situations, the subject will be recorded too dark.

- The subject is indoors and there is a window behind the subject.
- Bright light sources are included in the scene.
- When shooting a person wearing white or shiny clothes in front of a white background, the face will be recorded too dark.

Shooting in the dark

We recommend you to use a video light (not supplied). To get the best colour, you must maintain a sufficient light level.

When you adjust the exposure manually

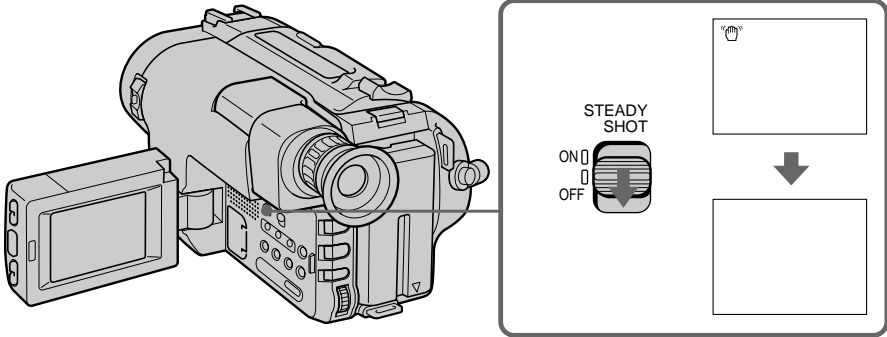
- BACK LIGHT does not work.
- If you press PROGRAM AE, the camcorder automatically returns to automatic exposure mode.

Releasing the STEADY SHOT function

When you shoot, the  indicator appears in the viewfinder. This indicates that the Steady Shot function is working and the camcorder compensates for camera-shake.

You can release the Steady Shot function when you do not need to use the Steady Shot function. Do not use the Steady Shot function when shooting a stationary object with a tripod.


Set STEADY SHOT to OFF.



To activate the Steady Shot function again

Set STEADY SHOT to ON.

Notes on the Steady Shot function

- The Steady Shot function will not correct excessive camera-shake.
- When you switch the STEADY SHOT function on or off, the exposure may fluctuate.
- Steady Shot does not operate in 16:9 FULL mode. If you set STEADY SHOT to ON, the  indicator flashes.

Superimposing a title

You can select one of eight preset titles. You can also select the position, and colour of titles in the menu system.

Using titles

To add the title from the beginning

(1) While the camcorder is in Standby mode, press TITLE repeatedly until the desired title appears.

Each time a new title appears, it is flashing. When the desired title appears, wait for it to stop flashing.

(2) Press START/STOP to start recording.

(3) When you want to stop recording the title, press TITLE.

To add the title while you are recording

(1) While the camcorder is in Standby mode, press TITLE repeatedly until the desired title appears.

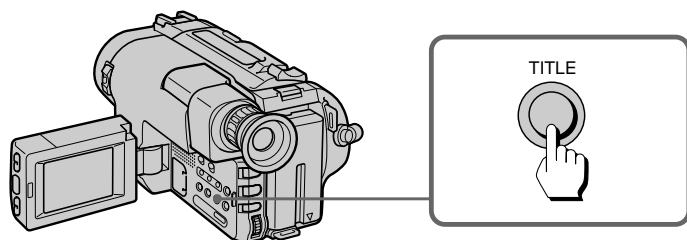
Each time a new title appears, it is flashing.

(2) When the desired title appears, wait for it to stop flashing, and press TITLE again to erase the title from the display.

(3) Press START/STOP to start recording.

(4) When you reach the point where you want to add the title, press TITLE.

(5) When you want to stop recording the title, press TITLE again.



Titles cycle as follows:

Original title 1 → Original title 2 → HELLO! → HAPPY BIRTHDAY → HAPPY HOLIDAYS → CONGRATULATIONS! → OUR SWEET BABY → WEDDING → VACATION → THE END

After "THE END" appears, the title display disappears, and then Original title 1 returns.

Notes on superimposing a title

- If you have not made any original titles, they are not displayed.
- You cannot select a title while you are recording.
- FADER does not work while the title is displayed.
- You cannot simultaneously record the title and the date or time.
- You cannot record the title during fade-in/fade-out.
- If you display the menu while superimposing a title, the title is not recorded while the menu is being displayed.

Superimposing a title

To select the colour of the title

- (1) While the camcorder is in Standby mode, press MENU to display the menu.
- (2) Turn the control dial to select TITLE COL, then press the dial.
- (3) Turn the control dial to select the desired colour, then press the dial.

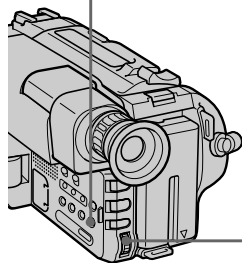
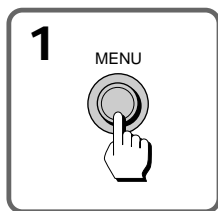
You can chose from the following 7 colours:

WHITE ↔ YELLOW ↔ VIOLET ↔ RED ↔ CYAN ↔ GREEN ↔ BLUE

- (4) Press MENU to erase the menu display.

To select the position of the title

- (1) While the camcorder is in Standby mode, press MENU to display the menu.
- (2) Turn the control dial to select TITLE POS, then press the dial.
- (3) Turn the control dial to select the desired position (CENTER or BOTTOM), then press the dial.
- (4) Press MENU to erase the menu display.



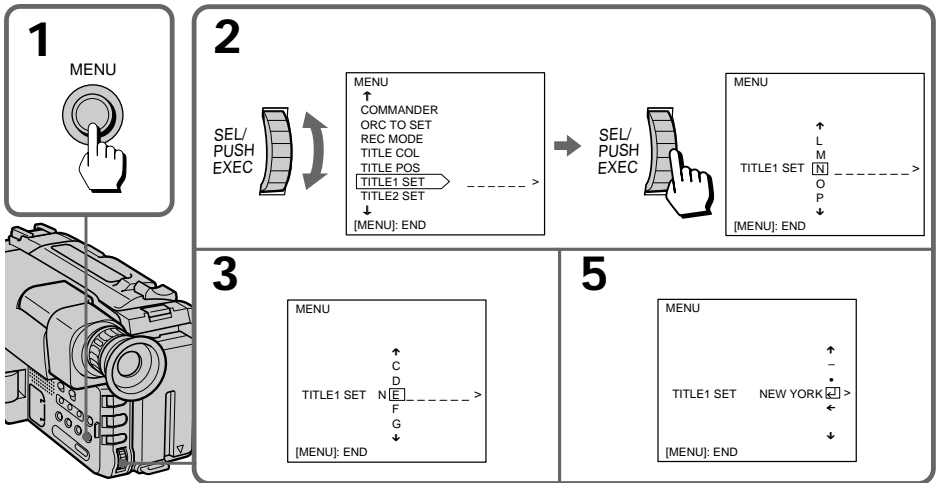
2	1 SEL/ PUSH EXEC		TITLE COL MENU WIND COMMANDER ORC TO SET REC MODE TITLE COL → WHITE TITLE POS TITLE 1 SET ↓ [MENU]: END	TITLE POS MENU WIND COMMANDER ORC TO SET REC MODE TITLE COL TITLE POS → CENTER TITLE 1 SET ↓ [MENU]: END
	2 SEL/ PUSH EXEC		MENU WHITE YELLOW VIOLET TITLE COL RED CYAN GREEN BLUE [MENU]: END	MENU TITLE POS CENTER BOTTOM [MENU]: END
3	1 SEL/ PUSH EXEC		MENU WHITE YELLOW VIOLET TITLE COL RED CYAN GREEN BLUE [MENU]: END	MENU TITLE POS CENTER BOTTOM [MENU]: END
	2 SEL/ PUSH EXEC		MENU WIND COMMANDER ORC TO SET REC MODE TITLE COL → GREEN TITLE POS TITLE 1 SET ↓ [MENU]: END	MENU WIND COMMANDER ORC TO SET REC MODE TITLE COL TITLE POS → BOTTOM TITLE 1 SET ↓ [MENU]: END

Making your own titles

You can make up to two titles and store them in the camcorder. We recommend to eject the cassette before you begin.

Your title can have up to 22 characters.

- (1) While the camcorder is in Standby mode, press MENU to display the menu.
- (2) Turn the control dial to select TITLE1 SET or TITLE2 SET, then press the dial.
- (3) Turn the control dial to select the desired character, then press the dial.
- (4) Repeat step 3 until you finish the title.
- (5) When you are finished, turn the control dial to select \leftarrow , then press the dial.
- (6) Press MENU to erase the menu display.



To edit a title you have stored

In step 2, select TITLE1 SET or TITLE2 SET, depending on which title you want to edit, then change the title.

To move the cursor to the character on the left side, select \leftarrow .

If you enter 22 characters in step 4

The title is stored immediately (and you can skip step 5).

If you take 5 minutes or longer to enter characters while a cassette is in the camcorder

The power goes off automatically. Characters you have entered remain. Turn STANDBY down once and then up again, then proceed from step 1.

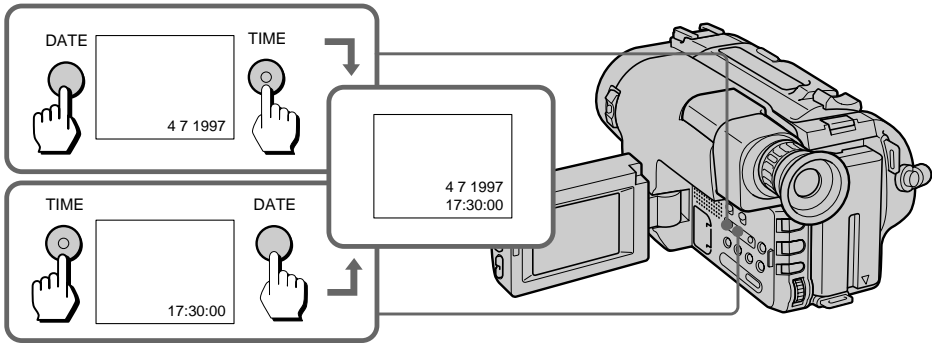
To delete a title

At the leftmost character position, select \leftarrow and press the dial. Do not erase the title by selecting empty spaces. If you do so, a title full of empty spaces is stored.

Recording with the date/time

Before you start recording or during recording, press DATE or TIME. You can record the date or time displayed in the viewfinder or on the LCD screen with the picture. Press DATE (or TIME), then press TIME (or DATE) to display the date and time together.

The clock is already set at the factory to Sydney time for Australia and New Zealand models, to Tokyo time for the models sold in Japan and Hong Kong time for other models. You can reset the clock in the menu system.



To stop recording with the date and/or time

Press DATE and/or TIME again. The date and/or time indicator disappears. The recording continues.

Note on the date or time indicator

If you press DATE or TIME while you are recording in CINEMA mode, the indicators in the viewfinder or on the LCD screen move upwards.

Optimizing the recording condition

Use this feature to check the tape condition before recording, so that you can get the best possible picture (ORC).

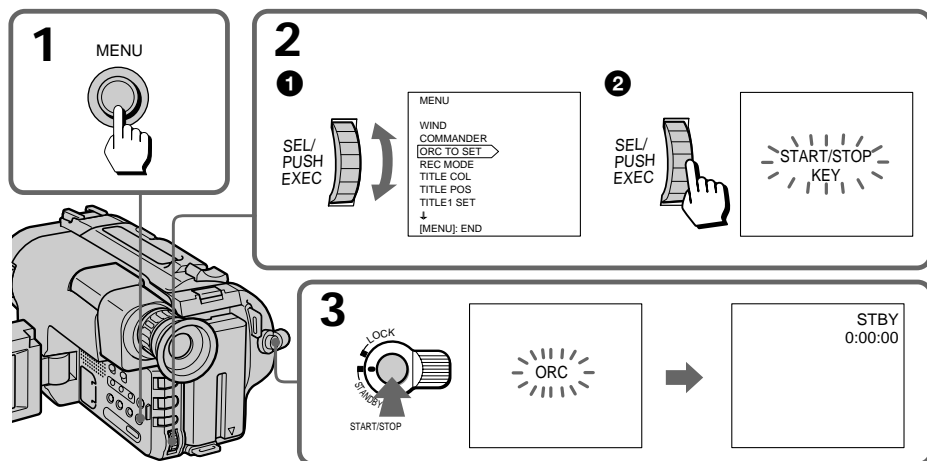
(1) While the camcorder is in Standby mode, press MENU to display the menu.

(2) Turn the control dial to select ORC TO SET, then press the dial.

“START/STOP KEY” flashes.

(3) Press START/STOP.

The camcorder takes about 5 seconds to check the tape condition and then returns to Standby mode.



Each time you insert the cassette

Perform the above procedures.

To see if the tape condition has been checked

If the ORC indicator lights up in the display window, the tape condition has been checked.

Notes on the ORC function

- When you set ORC TO SET, the recording on the tape is erased for about 0.1 second so that the camcorder can check the tape condition. Be careful when you use a recorded tape. The 0.1 second blank is erased if you record from the point where you set ORC TO SET for more than 2 seconds, or if you record over the blank.
- You cannot use this function on a tape with the red mark on the cassette exposed.

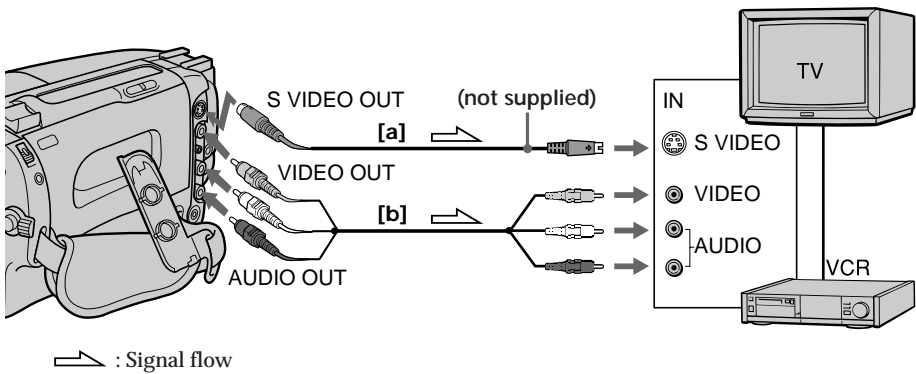
Watching on a TV screen

Connect the camcorder to your VCR or TV to watch the playback picture on the TV screen. When monitoring the playback picture by connecting the camcorder to your TV, we recommend you to use mains for the power source.

While playing back on a TV screen, close the LCD panel. Otherwise, picture distortion may occur.

Connecting directly to a VCR/TV with Video/Audio input jacks

Open the jack cover. With using the supplied A/V connecting cable, connect the camcorder to the LINE IN inputs on the TV or VCR connected to the TV. Set the TV/VCR selector on the TV to VCR. When connecting to the VCR, set the input selector on the VCR to LINE.



If your VCR or TV has an S video jack, connect using the S video cable (not supplied) [a] to obtain a high quality picture.

If you are going to connect the camcorder using the S video cable (not supplied) [a], you do not need to connect the yellow (video) plug of the A/V connecting cable [b].

If your VCR or TV is a monaural type

Connect only the white plug for audio on both the camcorder and the VCR or the TV. With this connection, the sound is monaural.

To connect to a VCR or TV without Video/Audio input jacks

Use an RFU adaptor (not supplied).

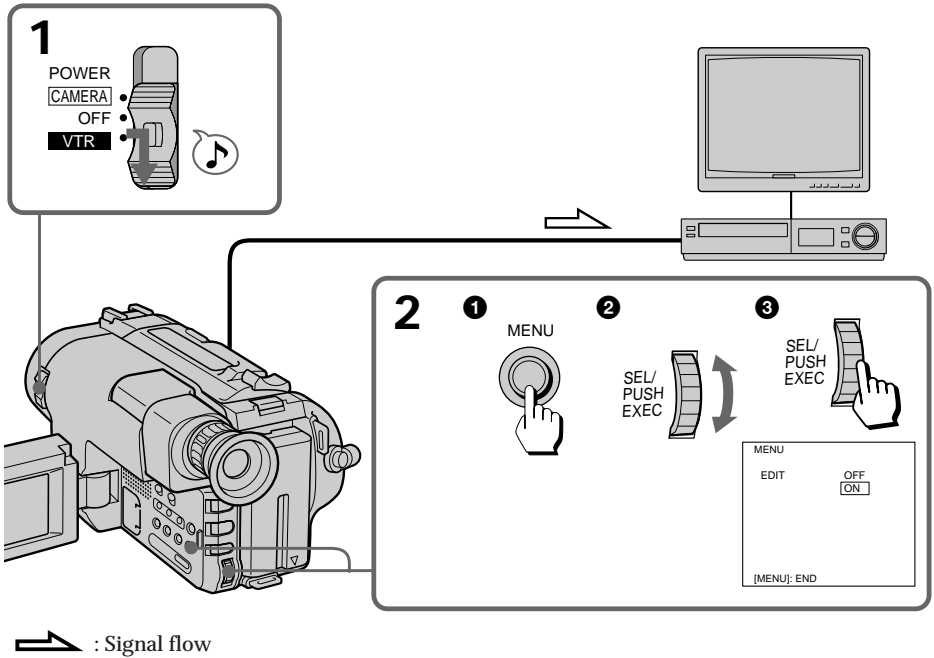
Editing onto another tape

You can create your own video programme by editing with any other **8 mm, Hi8** Hi8, **VHS** VHS, **SVHS** S-VHS, **VHS-C** VHSC, **SVHS-C** S-VHSC or **β** Betamax VCR that has video/audio inputs.

Before editing

Connect the camcorder to the VCR using the supplied A/V connecting cable.
Set the input selector on the VCR to LINE, if available.

- (1) While pressing the small green button on the POWER switch, set it to VTR.
- (2) Set EDIT to ON in the menu system.



Starting editing

Turn down the volume of the camcorder while editing. Otherwise, picture distortion may occur.

- (1) Insert a blank tape (or a tape you want to record over) into the VCR, and insert your recorded tape into the camcorder.
- (2) Play back the recorded tape on the camcorder until you locate the point where you want to start editing, then press **II** to set the camcorder in playback pause mode.
- (3) On the VCR, locate the recording start point and set the VCR in recording pause mode.
- (4) Press **II** on the camcorder and VCR simultaneously to start editing.

To edit more scenes

Repeat steps 2 to 4.

To stop editing

Press **□** on both the camcorder and the VCR.

Note on Fine Synchro Edit

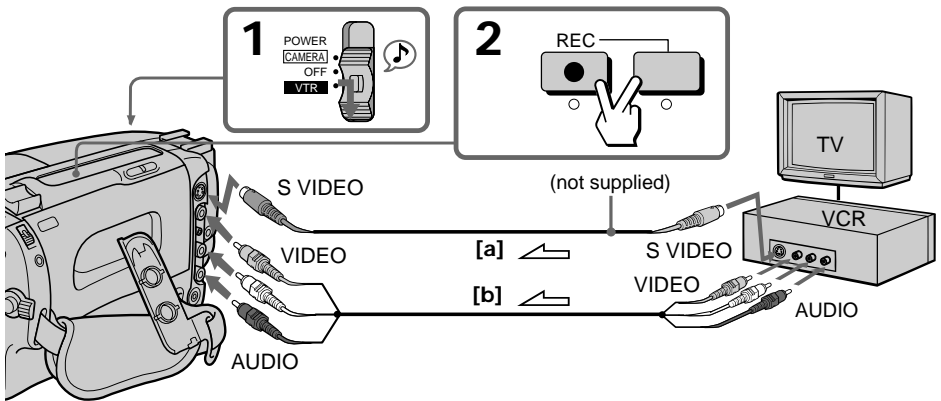
If you connect a video deck that has the Fine Synchro Edit feature to the LANC **Ⓢ** jack of the camcorder, using a LANC cable (not supplied), the edit will be even more precise.

Recording from a VCR or TV

You can record a tape from another VCR or a TV program from a TV that has video/audio outputs. Connect the camcorder to the VCR or TV using the supplied A/V cable. Turn down the volume of the camcorder while editing. Otherwise, picture distortion may occur.

- (1) While pressing the small green button on the POWER switch, set it to VTR.
- (2) Press ● REC and the button on the right together on the camcorder at the point where you want to start recording.

In recording and recording pause mode, S video and VIDEO/AUDIO jacks automatically work as input jacks.



➤ : Signal flow

If your VCR or TV has an S video jack, connect using the S video cable (not supplied) [a] to obtain a high quality picture.

If your VCR or TV is a monaural type, connect only the white plug for audio on both the camcorder and the VCR or TV.

If your VCR or TV does not have an S VIDEO OUT jack, connect cable [b]. Do not connect the S video cable (not supplied) [a] to the camcorder.


To check the picture from a VCR or TV before recording

Press ■ after pressing ● REC. You can check the picture in the viewfinder or on the LCD screen.

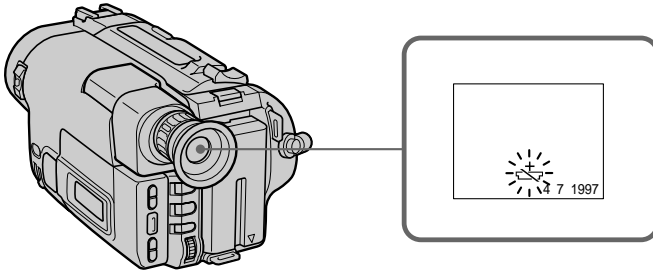
To stop recording

Press □.

Changing the lithium battery in the camcorder

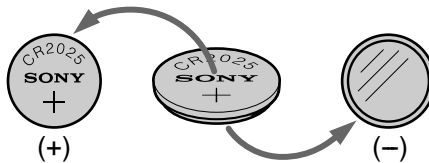
Your camcorder is supplied with a lithium battery installed. When the battery becomes weak or dead, the  indicator flashes in the viewfinder for about 5 seconds when you set the POWER switch to CAMERA. In this case, replace the battery with a Sony CR2025 or Duracell DL-2025 lithium battery. Use of any other battery may present a risk of fire or explosion. Discard used batteries according to the manufacturer's instructions.

The lithium battery for the camcorder lasts for about 1 year under normal operation. (The lithium battery that comes installed at the factory may not last 1 year.)



Notes on lithium battery

- Keep the lithium battery out of the reach of children.
Should the battery be swallowed, immediately consult a doctor.
- Wipe the battery with a dry cloth to assure a good contact.
- Do not hold the battery with metallic tweezers, otherwise a short-circuit may occur.
- Note that the lithium battery has a positive (+) and a negative (-) terminals as illustrated. Be sure to install the lithium battery so that terminals on the battery match the terminals on the camcorder.



WARNING

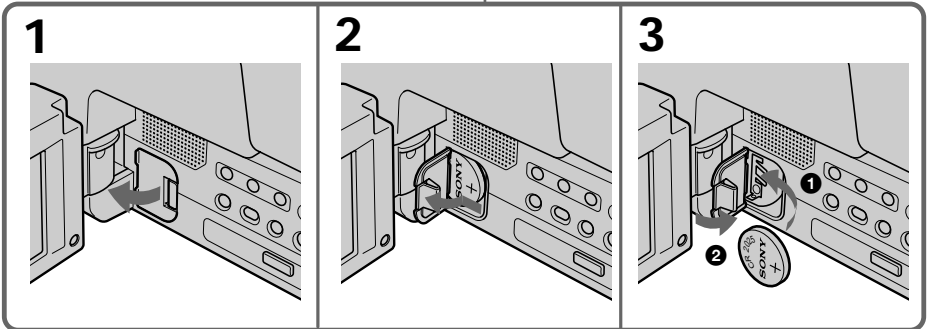
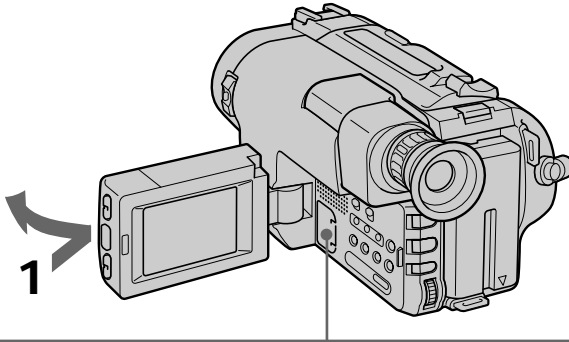
The battery may explode if mistreated. Do not recharge, disassemble, or dispose of in fire.

Changing the lithium battery in the camcorder

Changing the lithium battery

When replacing the lithium battery, keep the battery pack or other power source attached. Otherwise, you will need to reset the date, time and other items in the menu system retained by the lithium battery.

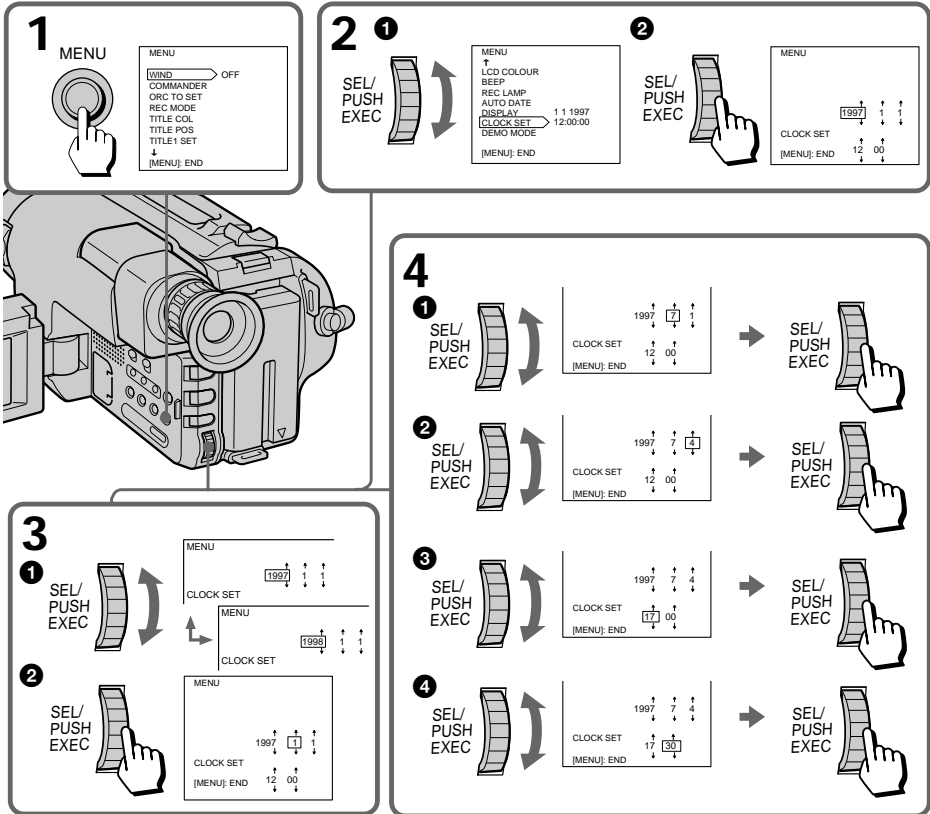
- (1) Open the LCD panel and open the lid of the lithium battery compartment.
- (2) Push the lithium battery down once and pull it out from the holder.
- (3) Install the lithium battery with the positive (+) side facing out. Close the lid.



Resetting the date and time

You can reset the date and time in the menu system.

- (1) While the camcorder is in Standby mode, press MENU to display the menu.
- (2) Turn the control dial to select CLOCK SET, then press the dial.
- (3) Turn the control dial to adjust the desired year, then press the dial.
- (4) Set the month, day, hour and minutes by turning the control dial and pressing the dial.
- (5) Press MENU to erase the menu display.



To correct the date and time setting
 Repeat the above procedure.

Resetting the date and time

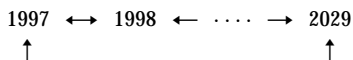
To check the preset date and time

Press DATE to display the date indicator.

Press TIME to display the time indicator.

When you press the same button again, the indicator goes off.

The year changes as follows:



Note on the time indicator

The internal clock of this camcorder operates on a 24-hour cycle.

Usable cassettes and playback modes

Selecting cassette types

This Hi8 system is an extension of the standard 8 mm system, and was developed for higher-quality pictures.

You can use Hi8 video and standard 8 mm cassettes. When you use a Hi8 video cassette, the recording is in the Hi8 system. When you use a standard 8mm cassette, the recording is in the standard 8 mm system. You cannot record on standard 8 mm cassettes in the Hi8 system.

If you are going to play back the tape using a standard 8mm video recorder/player, you should use standard 8 mm cassettes.

When you play back

The playback mode (SP/LP) and system (Hi8/standard 8 mm) are selected automatically according to the format in which the tape has been recorded. The quality of the recorded picture in LP mode, however, will not be as good as that in SP mode.

Note on AFM HiFi stereo

When you play back a tape, the sound will be in monaural if:

- You record the tape using this camcorder, then play it back on an AFM HiFi monaural video recorder/player.
- You record the tape on an AFM HiFi monaural video recorder, then play it back on this camcorder.

Foreign 8 mm video

Because the TV colour systems differ from country to country, you may not be able to play back foreign pre-recorded tapes. Refer to the list of "Using your camcorder abroad" to check the TV colour system of foreign countries.

Usable cassettes and playback modes

Playing back an NTSC-recorded tape

You can play back tapes recorded in the NTSC video system using the SP mode. If the tape is recorded in the AFM HiFi system, the AFM HiFi sound is reproduced.

However, note that the following will occur during playback of an NTSC-recorded tape.

- When playing back a tape on a TV screen, you may not get the original colour depending on the TV. When you play back on a Multi System TV, set NTSC PB to the desired mode in the menu system.
- During playback, a black band appears on the lower part of the viewfinder.
- You cannot play back a tape recorded in NTSC video system with LP mode neither on the LCD nor on a TV screen.
- If a tape has portions recorded in PAL and NTSC video systems, the tape counter reading is not correct. This discrepancy is due to the difference between the counting cycle of the two video systems.
- You cannot edit the NTSC-recorded tape onto another VCR.

Tips for using the battery pack

This section shows you how you can get the most out of your battery pack.

Preparing the battery pack

Always carry additional batteries

Have sufficient battery pack power to do 2 to 3 times as much recording as you have planned.

Battery life is shorter in a cold environment

Battery efficiency is decreased, and the battery will be used up more quickly, if you are recording in a cold environment.

To save battery power

Turn STANDBY down when not recording to save battery power.


A smooth transition between scenes can be made even if recording is stopped and started again. While you are positioning the subject, selecting an angle, or looking through the viewfinder lens or on the LCD screen, the lens moves automatically and the battery is used. The battery is also used when a tape is inserted or removed.


When to replace the battery pack

While you are using your camcorder, the remaining battery indicator decreases gradually as battery power is used up.

The remaining time in minutes also appears.



When the remaining battery indicator reaches the lowest point, the  indicator may appear and start flashing in the viewfinder or on the LCD screen.

When the  indicator changes from slow flashing to rapid flashing while you are recording, set the POWER switch to OFF on the camcorder and replace the battery pack. Leave the tape in the camcorder to obtain a smooth transition between scenes after the battery pack has been replaced.

Notes on the rechargeable battery pack

Caution

Never leave the battery pack in temperatures above 60°C (140°F), such as in a car parked in the sun or under direct sunlight.

The battery pack heats up

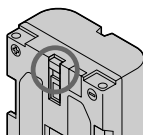
During charging or recording, the battery pack heats up. This is caused by energy that has been generated and a chemical change that has occurred inside the battery pack. This is not cause for concern and is normal.

Battery pack care

- Remove the battery pack from the camcorder after using it, and keep it in a cool place. When the battery pack is installed to the camcorder, a small amount of current flows to the camcorder even if the POWER switch is set to OFF. This shortens battery life.
- The battery pack is always discharging even when it is not in use after charging. Therefore, you should charge the battery pack right before using the camcorder.

The switch on the battery pack

This switch is provided so that you can mark the charged battery pack. Set the switch to the “green mark” position when charging is completed. (When removed from the charging adaptor, the switch exposes the green mark. When removed from your camcorder, no mark is indicated.)



The life of the battery pack

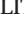
If the battery indicator flashes rapidly just after turning on the camcorder with a fully charged battery pack, the battery pack should be replaced with a new fully charged one.

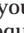
Charging temperature

You should charge batteries at temperatures from 10°C to 30°C (from 50°F to 86°F). Lower temperatures require a longer charging time.

Notes on the “InfoLITHIUM” battery pack

What is “InfoLITHIUM”

The “InfoLITHIUM” is a lithium ion battery pack which can exchange data with compatible video equipment about its battery consumption. Sony recommends that you use the “InfoLITHIUM” battery pack with video equipment having the  mark.


When you use this battery pack with video equipment having the  mark, the video equipment will indicate the remaining battery time in minutes*. However, if you use it with video equipment not having this mark, the remaining battery capacity will not be indicated in minutes.

* The indication may not be accurate depending on the condition and environment which the equipment is used under.

How the battery consumption is displayed



The power consumption of the camcorder changes depending on its use, such as how the autofocus is working.

While checking the condition of the camcorder, the “InfoLITHIUM” battery pack measures the battery consumption and calculates the remaining battery power. If the condition changed drastically, the remaining battery indication may suddenly decrease or increase by more than 2 minutes.

Even if 5 to 10 minutes is indicated as the battery remaining time on the LCD screen or in the viewfinder, the  indicator may also flash under some condition.

To obtain more accurate remaining battery indication

Set the camcorder to recording standby mode and point towards a stationary object. Do not move the camcorder for 30 seconds or more.

- If the indication seems incorrect, use up the battery pack and then recharge it fully (Full charge¹⁾). Note that if you have used the battery in a hot or cold environment for long time, or you have repeated charging many times, the battery pack may not be able to show the correct time even after being fully charged.
- After you have used the “InfoLITHIUM” battery pack with an equipment not having the  mark, make sure that you use up the battery pack on the equipment having the  mark and then recharge fully.

Why the remaining battery indication does not match the continuous recording time in the operation manual

The recording time is affected by the environmental temperature and conditions. The recording time becomes very short in a cold environment. The continuous recording time in the operation manual is measured under the condition of using a fully charged (or normal charged²⁾) battery pack in 25°C (77°F). As the environmental temperature and condition are different when you actually use the camcorder, the remaining battery time is not same as the continuous recording time in the operation manual.

- ¹⁾ Full charge: Charging for about 1 hour after the CHARGE lamp of the AC power adaptor goes off.
- ²⁾ Normal charge: Charging just until the CHARGE lamp of the AC power adaptor goes off.

Notes on charging

A brand-new battery pack

A brand-new battery pack is not charged. Before using the battery pack, charge it completely.

Recharge the battery pack whenever you like

You do not have to discharge it before recharging. If you charged the battery pack fully but you did not use it for a long time, it becomes discharged. Then recharge the battery pack before use.

Notes on the terminals

If the terminals (metal parts on the back) are not clean, the battery charge duration will be shortened.

When the terminals are not clean or when the battery pack has not been used for a long time, repeatedly install and remove the battery pack a few times. This improves the contact condition. Also, wipe the + and – terminals with a soft cloth or paper.

Be sure to observe the following




- Keep the battery pack away from fire.
- Keep the battery pack dry.
- Do not open nor try to disassemble the battery pack.
- Do not expose the battery pack to any mechanical shock.

Maintenance information and precautions

Moisture condensation

If the camcorder is brought directly from a cold place to a warm place, moisture may condense inside the camcorder, on the surface of the tape, or on the lens. In this condition, the tape may stick to the head drum and be damaged or the unit may not operate correctly. To prevent possible damage under these circumstances, the camcorder is furnished with moisture sensors. Please, take the following precautions.

Inside the camcorder

If there is moisture inside the camcorder, the beep sounds and the  indicator flashes. If this happens, none of the functions except cassette ejection will work. Open the cassette compartment, turn off the camcorder, and leave it about 1 hour. When  indicator flashes at the same time, the cassette is inserted in the camcorder. Eject the cassette, turn off the camcorder, and leave also the cassette about 1 hour. The camcorder can be used again if the  indicator does not appear when the power is turned on again.

On the lens


If moisture condenses on the lens, no indicator appears, but the picture becomes dim. Turn off the power and do not use the camcorder for about 1 hour.

How to prevent moisture condensation

When bringing the camcorder from a cold place to a warm place, put the camcorder in a plastic bag and allow it to adapt to room conditions over a period of time.

- (1) Be sure to tightly seal the plastic bag containing the camcorder.
- (2) Remove the bag when the air temperature inside it has reached the temperature surrounding it (after about 1 hour).

Video head cleaning

To ensure normal recording and clear pictures, clean the video heads. When the  indicator and “ CLEANING CASSETTE” message appear one after another or playback pictures are “noisy” or hardly visible, the video heads may be dirty.



[a] Slightly dirty

[b] Very dirty

If this happens, clean the video heads with the Sony V8-25CLH cleaning cassette (not supplied). After checking the picture, if it is still “noisy,” repeat the cleaning. (Do not repeat cleaning more than 5 times in one session.)

Caution

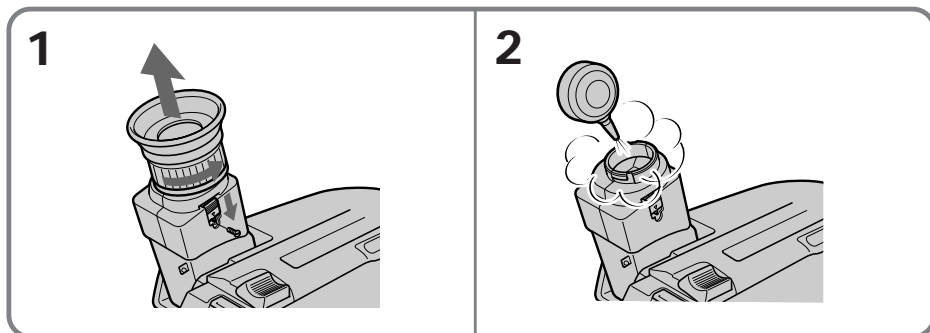
Do not use a commercially available wet-type cleaning cassette. It may damage the video heads.

Note

If the Sony V8-25CLH cleaning cassette is not available in your area, consult your nearest Sony dealer.

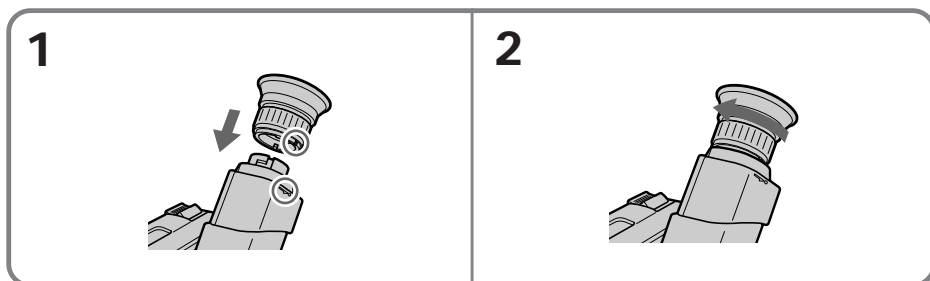
Removing dust from inside the viewfinder

- (1) Remove the screw with a screwdriver (not supplied). Then, while sliding the RELEASE knob, turn the eyecup in the direction of the arrow and pull it out.
- (2) Clean the surface with a commercially available blower.



To reattach the eyecup

- (1) Align the groove on the eyecup with the • mark on the barrel.
- (2) Turn the eyecup in the direction of the arrow. Then replace the screw.



Caution

Do not remove any other screws.

You may remove only the screw to remove the eyecup.

Precautions

Camcorder operation

- Operate the camcorder on 7.2 V (battery pack) or 8.4 V (AC power adaptor).
- For DC or AC operation, use the accessories recommended in this manual.
- Should any solid object or liquid get inside the casing, unplug the camcorder and have it checked by a Sony dealer before operating it any further.
- Avoid rough handling or mechanical shock. Be particularly careful of the lens.
- Keep the POWER switch set to OFF when not using the camcorder.
- Do not wrap up the camcorder and operate it since heat may build up internally.
- Keep the camcorder away from strong magnetic fields or mechanical vibration.
- Do not push the LCD screen.
- If the camcorder is used in a cold place, a residual image may appear on the LCD screen. This is not a malfunction.
- While using the camcorder, the back of the LCD screen may heat up. This is not a malfunction.

On handling tapes

Do not insert anything in the small holes on the rear of the cassette. These holes are used to sense the type of tape, thickness of tape and if the recording tab is in or out.

Camcorder care

- When the camcorder is not to be used for a long time, disconnect the power source and remove the tape. Periodically turn on the power, operate the camera and player sections and play back a tape for about 3 minutes.
- Clean the lens with a soft brush to remove dust. If there are fingerprints on it, remove them with a soft cloth.
- Clean the camcorder body with a dry soft cloth, or a soft cloth lightly moistened with a mild detergent solution. Do not use any type of solvent which may damage the finish.
- If fingerprints or debris make the LCD screen dirty, we recommend using a LCD Cleaning Kit (not supplied) to clean the LCD screen.
- Do not let sand get into the camcorder. When you use the camcorder on a sandy beach or in a dusty place, protect it from the sand or dust. Sand or dust may cause the unit to malfunction, and sometimes this malfunction cannot be repaired.

AC power adaptor

Charging

- Use only a lithium ion type battery pack.
- Place the battery pack on a flat surface without vibration during charging.
- The battery pack will get hot during charging. This is normal.

Others

- Unplug the unit from the mains when not in use for a long time. To disconnect the mains lead, pull it out by the plug. Never pull the mains lead itself.
- Do not operate the unit with a damaged cord or if the unit has been dropped or damaged.
- Do not bend the mains lead forcibly, or put a heavy object on it. This will damage the cord and may cause a fire or electrical shock.
- Be sure that nothing metallic comes into contact with the metal parts of the connecting plate. If this happens, a short may occur and the unit may be damaged.
- Always keep the metal contacts clean.
- Do not disassemble the unit.
- Do not apply mechanical shock or drop the unit.
- While the unit is in use, particularly during charging, keep it away from AM receivers and video equipment because it will disturb AM reception and video operation.
- The unit becomes warm while in use. This is normal.
- Do not place the unit in locations that are:
 - Extremely hot or cold
 - Dusty or dirty
 - Very humid
 - Vibrating

Notes on dry batteries

To avoid possible damage from battery leakage or corrosion, observe the following.

- Be sure to insert the batteries in the correct direction.
- Dry batteries are not rechargeable.
- Do not use a combination of new and old batteries.
- Do not use different types of batteries.
- The batteries slowly discharge while not in use.
- Do not use a battery that is leaking.

If battery leakage occurred

- Wipe off the liquid in the battery case carefully before replacing the batteries.
- If you touch the liquid, wash it off with water.
- If the liquid get into your eyes, wash your eyes with a lot of water and then consult a doctor.

If any difficulty should arise, unplug the unit and contact your nearest Sony dealer.

Using your camcorder abroad

Each country or area has its own electric and TV colour systems. Before using your camcorder abroad, check the following points.

Power sources

You can use your camcorder in any country or area with the supplied AC power adaptor within 110 V to 240 V AC, 50/60 Hz.

Difference in colour systems

This camcorder is a PAL system based camcorder. If you want to view the playback picture on a TV, it must be a PAL system based TV. Check the following list.

PAL system

Australia, Austria, Belgium, China, Czech Republic, Denmark, Finland, Germany, Great Britain, Holland, Hong Kong, Italy, Kuwait, Malaysia, New Zealand, Norway, Portugal, Singapore, Slovak Republic, Spain, Sweden, Switzerland, Thailand, etc.

PAL-M system

Brazil

PAL-N system

Argentina, Paraguay, Uruguay

NTSC system

Bahama Islands, Bolivia, Canada, Central America, Chile, Colombia, Ecuador, Jamaica, Japan, Korea, Mexico, Peru, Surinam, Taiwan, the Philippines, the U.S.A., Venezuela, etc.

SECAM system

Bulgaria, France, Guyana, Hungary, Iran, Iraq, Monaco, Poland, Russia, Ukraine, etc.

Trouble check

If you run into any problem using the camcorder, use the following table to troubleshoot the problem. Should the difficulty persist, disconnect the power source and contact your Sony dealer or local authorized Sony service facility.

Camcorder

Power

Symptom	Cause and/or Corrective Action
The power is not on.	<ul style="list-style-type: none">• The battery pack is not installed. → Install the battery pack. (p. 8)• The battery is dead. → Use a charged battery pack. (p. 6)• The AC power adaptor is not connected to the mains. → Connect the AC power adaptor to the mains. (p. 24)
The power goes off.	<ul style="list-style-type: none">• While being operated in CAMERA mode, the camcorder has been in Standby mode for more than 5 minutes. → Turn STANDBY down once and then up again. (p. 11)• The battery is dead. → Use a charged battery pack. (p. 6)
The battery pack is quickly discharged.	<ul style="list-style-type: none">• The camcorder does not operate when using a battery pack that is not an "InfoLITHIUM" battery pack. → Use an "InfoLITHIUM" battery pack. (p. 6)• The ambient temperature is too low. (p. 55)• The battery pack has not been charged fully. → Charge the battery pack again. (p. 6)• The battery pack is completely dead, and cannot be recharged. → Use another battery pack. (p. 55)

Operation

Symptom	Cause and/or Corrective Action
START/STOP does not operate.	<ul style="list-style-type: none">• The tape is stuck to the drum. → Eject the tape. (p. 9)• The tape has run out. → Rewind the tape or use a new one. (p. 20)• The POWER switch is set to VTR. → Set it to CAMERA. (p. 10)• The tab on the cassette is out (red). → Use a new tape or slide the tab. (p.9)
Recording stops in a few seconds.	<ul style="list-style-type: none">• The START/STOP MODE switch is set to 5SEC or $\frac{1}{2}$. → Set it to $\frac{1}{4}$. (p. 14)

Trouble check

Symptom	Cause and/or Corrective Action
The cassette cannot be removed from the holder.	<ul style="list-style-type: none"> The battery is dead. <ul style="list-style-type: none"> → Use a charged battery pack or the AC power adaptor. (p. 6, 24)
⏏ and ⏏ indicators flash and no function except for cassette ejection works.	<ul style="list-style-type: none"> Moisture condensation has occurred. <ul style="list-style-type: none"> → Remove the cassette and leave the camcorder for at least 1 hour. (p. 58)
The date or time indicator is flashing.	<ul style="list-style-type: none"> You pressed DATE and TIME together for more than 2 seconds. <ul style="list-style-type: none"> → The camcorder is not malfunctioning. You may start recording. Flashing will stop soon. The lithium battery is weak or dead. <ul style="list-style-type: none"> → Replace the lithium battery with a new one. (p. 52)
The tape does not move when a video control button is pressed.	<ul style="list-style-type: none"> The POWER switch is set to CAMERA or OFF. <ul style="list-style-type: none"> → Set it to VTR. The tape has run out. <ul style="list-style-type: none"> → Rewind the tape or use a new one. (p. 20)
The Steady Shot function does not activate.	<ul style="list-style-type: none"> STEADY SHOT is set to OFF. <ul style="list-style-type: none"> → Set STEADY SHOT to ON. (p. 41) The Steady Shot function does not work when the wide mode is set to 16:9 FULL.
The autofocusing function does not work.	<ul style="list-style-type: none"> FOCUS is set to MANUAL. <ul style="list-style-type: none"> → Set it to AUTO. (p. 35) Shooting conditions are not suitable for autofocus. <ul style="list-style-type: none"> → Set FOCUS to MANUAL to focus manually. (p. 35)
The fader function does not work.	<ul style="list-style-type: none"> The START/STOP MODE switch is set to 5SEC or ⏏ . <ul style="list-style-type: none"> → Set it to ⏏ . (p. 14) A title is displayed. <ul style="list-style-type: none"> → Stop superimposing the title. (p. 42)
No sound or only a low sound is heard when playing back a tape.	<ul style="list-style-type: none"> The stereo tape is played back with HiFi SOUND set to 1 or 2 in the menu system. <ul style="list-style-type: none"> → Set to STEREO in the menu system. (p. 29)
Excessive high-pitched sound is heard.	<ul style="list-style-type: none"> The picture has been recorded with WIND set to ON in the menu system. <ul style="list-style-type: none"> → When there is no wind, set it to OFF. (p. 27)
The date or time indicator disappears.	<ul style="list-style-type: none"> Reset the date and time. (p. 53)

(to be continued)

Trouble check

Picture

Symptom	Cause and/or Corrective Action
The image on the viewfinder screen is not clear.	<ul style="list-style-type: none">• The viewfinder lens is not adjusted. → Adjust the viewfinder lens. (p. 11)
A vertical band appears when a subject such as lights or a candle flame is shot against a dark background.	<ul style="list-style-type: none">• The contrast between the subject and background is too high. The camcorder is not malfunctioning. → Change locations.
A vertical band appears when shooting a very bright subject.	<ul style="list-style-type: none">• The camcorder is not malfunctioning.
The playback picture is not clear.	<ul style="list-style-type: none">• EDIT is set to ON in the menu system. → Set it to OFF. (p. 29)
The picture is “noisy”.	<ul style="list-style-type: none">• The video heads may be dirty. → Clean the heads using the Sony V8-25CLH cleaning cassette (not supplied). (p. 59)
The picture does not appear in the viewfinder.	<ul style="list-style-type: none">• The LCD panel is open. → Close the LCD panel. (p. 15)
An unknown picture is displayed in the viewfinder or on the LCD screen.	<ul style="list-style-type: none">• If 10 minutes elapse after you set the POWER switch to CAMERA without inserting a cassette, the camcorder automatically starts the demonstration or DEMO is set to ON in the menu system. → Insert the cassette and the demonstration stops. You can deactivate the demonstration. (p. 28)
The picture does not appear on the LCD screen.	<ul style="list-style-type: none">• Incorporated fluorescent tube is worn out. → Please contact your nearest Sony dealer.
The five digit code appears.	<ul style="list-style-type: none">• The self-diagnosis function is activated. → Check the code and solve the problem. (p. 68)

Others

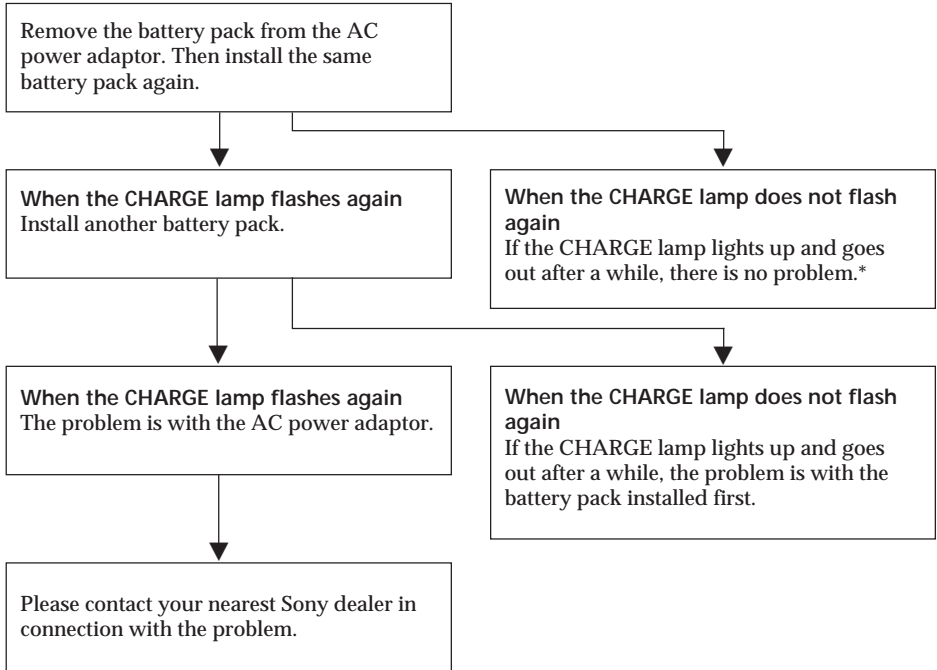
Symptom	Cause and/or Corrective Action
The supplied Remote Commander does not work.	<ul style="list-style-type: none">• COMMANDER is set to OFF in the menu system. → Set it to ON. (p. 27)• Something is blocking the infrared rays. → Remove the obstacle.• The batteries are not inserted with the correct polarity. → Insert the batteries with the correct polarity. (p. 74)• The batteries are dead. → Insert new ones. (p. 74)
There is dust in the viewfinder.	<ul style="list-style-type: none">• Detach the eyecup and clean the viewfinder lens. (p. 60)
The picture from a TV or VCR does not appear even when the camcorder is connected to outputs on the TV or VCR.	<ul style="list-style-type: none">• DISPLAY is set to V-OUT/LCD in the menu system. → Set it to LCD. (p. 27)

AC power adaptor

Symptom	Corrective Actions
The VTR/CAMERA or CHARGE lamp does not light.	• Disconnect the mains lead. After about 1 minute, reconnect the mains lead.
The CHARGE lamp flashes.	• See the following chart.

When the CHARGE lamp flashes

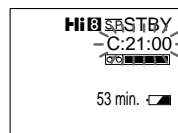
Check through the following chart.



* If you use a battery pack which you have just bought or which has been left unused for a long time, the CHARGE lamp may flash at the first charging. This does not indicate a problem. Repeat again to charge with the same battery pack.

Self-diagnosis function

If the self-diagnosis function works to prevent the camcorder from malfunctioning, a five-digit service number (combination of a letter and figures) flashes. In this case, check the following table.



First three digits	Cause and/or Corrective Action
C21	<ul style="list-style-type: none"> Moisture condensation has occurred. <ul style="list-style-type: none"> → Remove the cassette and leave the camcorder for at least 1 hour. (p. 58)
C22	<ul style="list-style-type: none"> The video heads are dirty. <ul style="list-style-type: none"> → Clean the heads using the Sony V8-25CLH cleaning cassette (not supplied). (p. 59)
C23	<ul style="list-style-type: none"> The camcorder does not operate when using a battery pack that is not an "InfoLITHIUM" battery pack. <ul style="list-style-type: none"> → Use an "InfoLITHIUM" battery. (p. 6)
C31	<ul style="list-style-type: none"> To prevent the camcorder from malfunctioning, the self-diagnosis function has worked. <ul style="list-style-type: none"> → Remove the cassette and insert it again, then operate the camcorder. (p. 9)
C32	<ul style="list-style-type: none"> To prevent the camcorder from malfunctioning, the self-diagnosis function has worked. <ul style="list-style-type: none"> → Disconnect the mains lead of the AC power adaptor or remove the battery pack. After reinstalling the power source, operate the camcorder.
E61	<ul style="list-style-type: none"> To prevent the camcorder from malfunctioning, the self-diagnosis function has worked. <ul style="list-style-type: none"> → When you contact your Sony dealer or local authorized Sony service facility, inform the service number with five digits. (example: E:61:10)
E62	

If a difficulty persists after checking the problem a few times, contact your Sony dealer or local authorized Sony service facility.

Specifications

Video camera recorder

System

Video recording system

Two rotary heads, Helical scanning FM system

Audio recording system

Rotary heads, FM system

Video signal

PAL colour, CCIR standards

Usable cassette

8mm video format cassette (Hi8 or standard 8)

Recording / Playback time

(using 90 min. cassette)

SP mode: 1 hour and 30 minutes

LP mode: 3 hours

Fastforward/rewind time (using 90 min. cassette)

Approx. 4 min.

Image device

CCD (Charge Coupled Device)

Viewfinder

Electronic viewfinder:

Monochrome

Lens

Combined power zoom lens

Filter diameter 37 mm (1 7/16 in.)

15 x (Optical), 180x (Digital)

Focal distance

4.1 - 61.5 mm (3/16 - 2 1/2 in.)

47 - 705 mm (1 7/8 - 27 7/8 in.)

when converted to a 35 mm still camera

Colour temperature

Auto

Minimum illumination

0.7 lux (F 1.4)

Illumination range

0.7 lux to 100,000 lux

Recommended illumination

More than 100 lux

LCD screen

Picture

2.5 inches measured diagonally

50.6 x 37.7 mm (2 x 1 1/2 in.)

On-screen display

TN LCD/TFT active matrix method

Total dot number

84,260 (383 x 220)

Input and output connectors

S video output/monitor input

4-pin mini DIN

Luminance signal: 1 Vp-p, 75

ohms, unbalanced

Chrominance signal: 0.3 Vp-p, 75

ohms, unbalanced

Video input/output

Phono jack, 1 Vp-p, 75 ohms,

unbalanced

Audio input/output

Phono jacks (2: stereo L and R)

327 mV, (at output impedance

47 kilohms) impedance less than

2.2 kilohms

RFU DC OUT

Special minijack, DC 5V

Headphone jack

Stereo minijack (ø 3.5 mm)

LANC control jack

Stereo mini-minijack (ø 2.5 mm)

MIC jack

Minijack, 0.388 mV low

impedance with 2.5 to 3.0 V DC,

output impedance 6.8 kilohms (ø

3.5 mm)

Stereo type

Speaker

Dynamic speaker

Intelligent accessory shoe

8-pin connector

General

Power requirements

7.2 V (battery pack)

8.4 V (AC power adaptor)

Average power consumption

During camera recording using

LCD: 4.4 W

Viewfinder: 3.5 W

Operating temperature

0°C to 40°C (32°F to 104°F)

Storage temperature

-20°C to +60°C (-4°F to +140°F)

Dimensions (Approx.)

106 x 108 x 200 mm

(4 1/4 x 4 3/8 x 7 7/8 in.) (w/h/d)

Mass (Approx.)

900 g (1 lb 15 oz)

excluding the battery pack,

lithium battery, cassette and

shoulder strap

1.1 kg (2 lb 8 oz)

including the battery pack NP-

F530, lithium battery CR2025,

cassette and shoulder strap

Microphone

Stereo type

Supplied accessories

See page 5.

AC power adaptor

Power requirements

110 - 240 V AC, 50/60 Hz

Power consumption

25 W

Output voltage

DC OUT: 8.4 V, 1.9 A in operating

mode

Battery charge terminal: 8.4 V, 1.4

A in charge mode

Application

Sony battery packs NP-F530,

NP-F730, NP-F930 lithium ion

type

Operating temperature

0°C to 40°C (32°F to 104°F)

Storage temperature

-20°C to +60°C (-4°F to +140°F)

Dimensions (Approx.)

81 x 45 x 163 mm (3 1/4 x 1 13/16

x 6 1/2 in.) (w/h/d) including

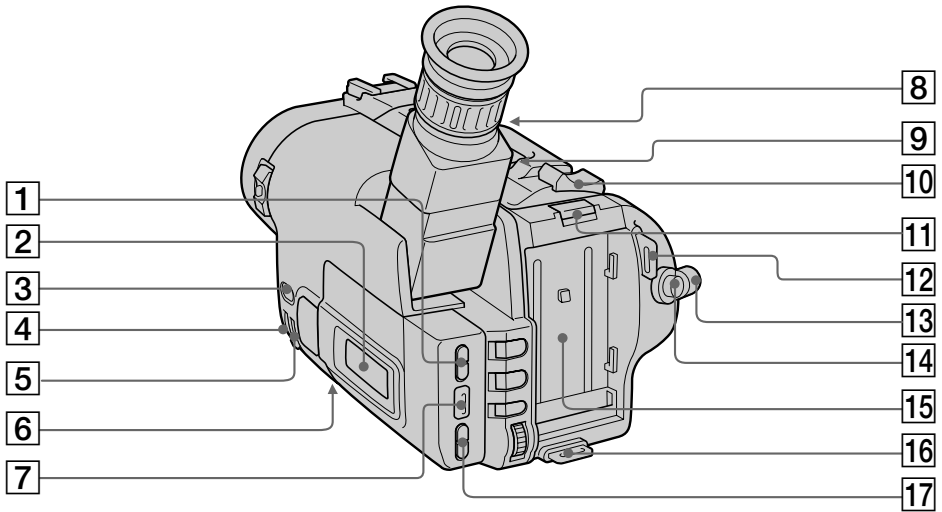
projecting parts and controls

Mass (Approx.)

560 g (1 lb 3 oz)

Design and specifications are subject to change without notice.

Identifying the parts



1 LCD BRIGHT button (p. 15)

2 Display window (p. 76)

3 FADER button (p. 30)

4 NEAR/FAR dial (p. 36)

5 FOCUS switch (p. 36)

6 Tripod receptacle (p. 17)

Make sure that the length of the tripod screw is less than 6.5 mm (9/32 inch) otherwise, you cannot attach the tripod securely and the screw may damage the camcorder.

7 OPEN button (p. 15)

8 Viewfinder lens adjustment ring (p. 11)

9 Eyecup RELEASE knob (p. 60)

10 Power zoom lever (p. 13)

11 BATT RELEASE (PUSH) lever (p. 8)

12 Hook for shoulder strap (p. 75)

13 STANDBY switch (p. 10)

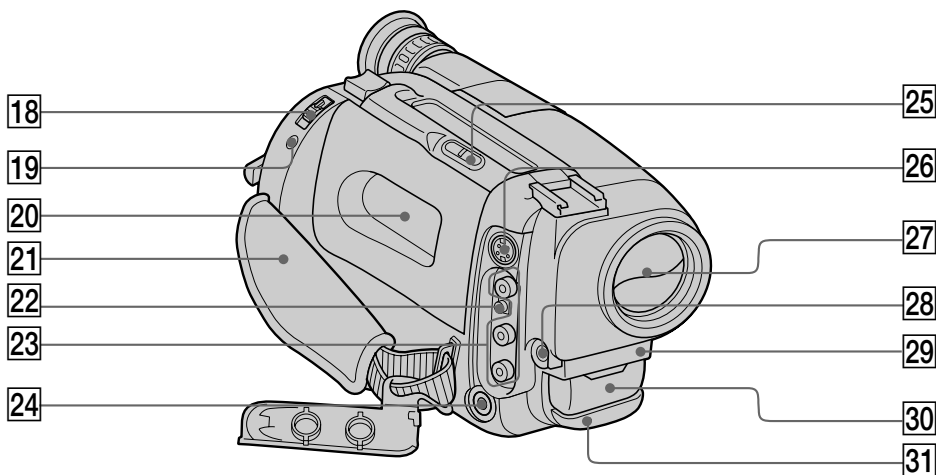
14 START/STOP button (p. 10)





15 Battery mounting surface

16 Hook for shoulder strap (p. 75)

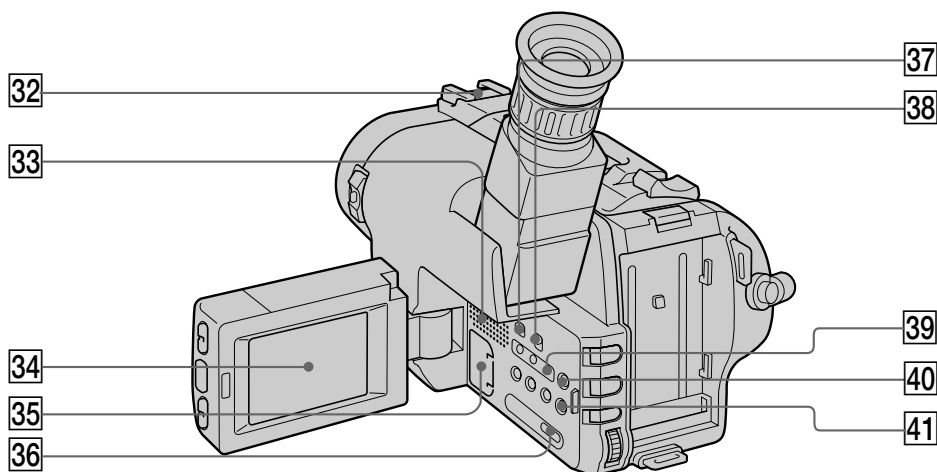
17 VOLUME button (p. 20)

Identifying the parts



- 18** EJECT switch (p. 9)
- 19** LANC  control jack
 stands for Local Application Control Bus System. The  control jack is used for controlling the tape transport of video equipment and peripherals connected to it. This jack has the same function as the jack indicated as CONTROL L or REMOTE.
- 20** Cassette compartment (p. 9)
- 21** Grip strap (p. 17)
- 22** RFU DC OUT (RFU adaptor DC output) jack (p. 47)
- 23** VIDEO/AUDIO jacks (p. 47)
- 24**  (headphones) jack (p. 21)
- 25** EDITSEARCH button (p. 19)
- 26** S VIDEO jack (p. 47)
- 27** Lens cover
- 28** MIC jack (PLUG IN POWER)
Connect an external microphone (not supplied). This jack also accepts a “plug-in-power” microphone.
- 29** Remote sensor (p. 75)
Aim the Remote Commander here for remote control.
- 30** Microphone
- 31** Camera recording/battery lamp (p. 10)

Identifying the Parts



32 Intelligent accessory shoe

33 Speaker (p. 21)

34 LCD screen (p. 15)

35 Lithium battery compartment (p. 52)

36 PICTURE EFFECT button (p. 33)

37 STEADY SHOT switch (p. 41)

38 START/STOP MODE switch (p. 14)

39 COUNTER RESET button (p. 12)

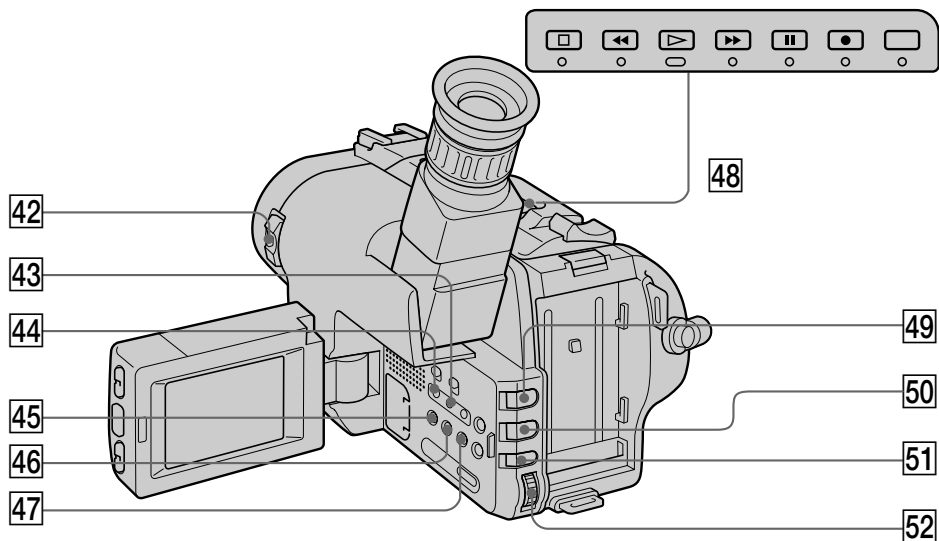
40 END SEARCH button (p. 23)

41 MENU button (p. 26)

Note on the intelligent accessory shoe

Supplies power to optional accessories such as a video light or microphone. The intelligent accessory shoe is linked to the STANDBY switch, allowing you to turn on and off the power supplied by the shoe. Refer to the instruction manual of the accessory for further information. To connect an accessory, press down and push it to the end, and then tighten the screw. To remove an accessory, loosen the screw, and then press down and pull out the accessory.

Identifying the Parts



42 POWER switch (p. 10)

43 TIME button (p. 45)

44 DATE button (p. 45)

45 DISPLAY button (p. 21)

46 16:9 WIDE button (p. 31)

47 TITLE button (p. 42)

48 Video control buttons (p. 20)

□ STOP (stop)

◀◀ REW (rewind)

▶ PLAY (playback)

▶▶ FF (fastforward)

|| PAUSE (pause)

● REC (recording)

49 BACK LIGHT button (p. 39)

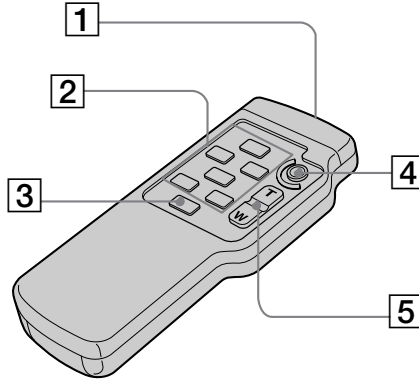
50 PROGRAM AE button (p. 37)

51 EXPOSURE button (p. 40)

52 Control dial (p. 34)

Remote Commander

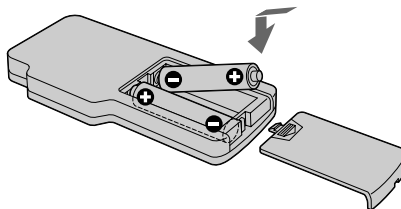
The buttons that have the same name on the Remote Commander as on the camcorder function identically.



- 1** Transmitter
Point toward the remote sensor to control the camcorder after turning on the camcorder.
- 2** Video control buttons (p. 20)
- 3** DISPLAY button (p. 21)
- 4** START/STOP button (p. 10)
- 5** Power zoom button (p. 13)

To prepare the Remote Commander

Insert two R6 (size AA) batteries by matching the + and - on the batteries to the diagram inside the battery compartment.



Note on battery life

The batteries for the Remote Commander last about 6 months under normal operation. When the batteries become weak or dead, the Remote Commander does not work.

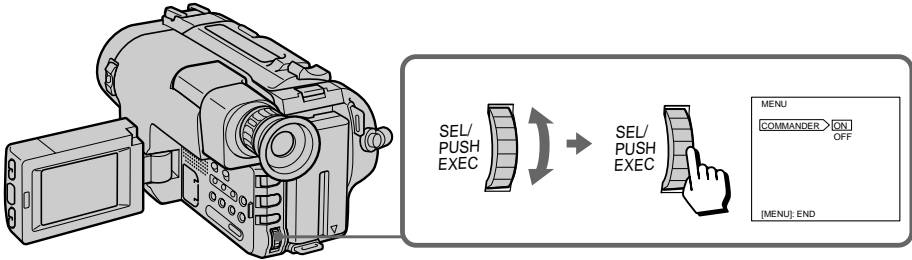
To avoid damage from possible battery leakage

Remove the batteries when you will not use the Remote Commander for a long time.

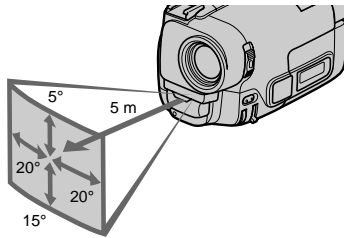
Identifying the parts

To use the Remote Commander

Make sure that the COMMANDER is set to ON in the menu system on the camcorder.



Remote control direction

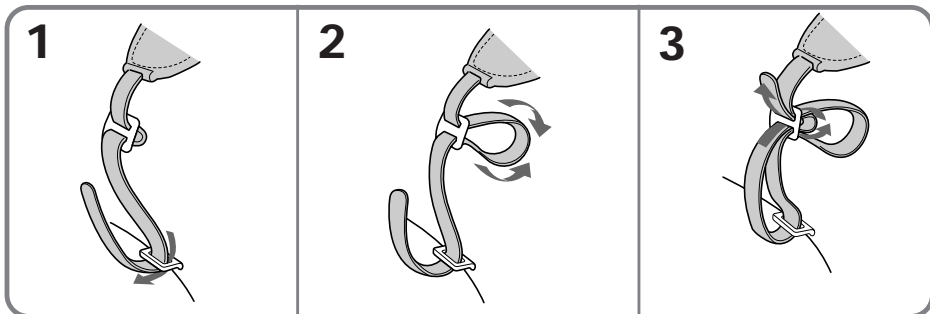


Notes on the Remote Commander

- Keep the remote sensor away from strong light sources such as direct sunlight or illumination. Otherwise, the remote control may not be effective.
- Be sure that there is no obstacle between the remote sensor on the camcorder and the Remote Commander.
- This camcorder works in commander mode VTR 2. The commander modes (1, 2 and 3) are used to distinguish this camcorder from other Sony VCRs to avoid remote control misoperation. If you use another Sony VCR in commander mode VTR 2, we recommend you change the commander mode or cover the remote sensor of the VCR with black paper.

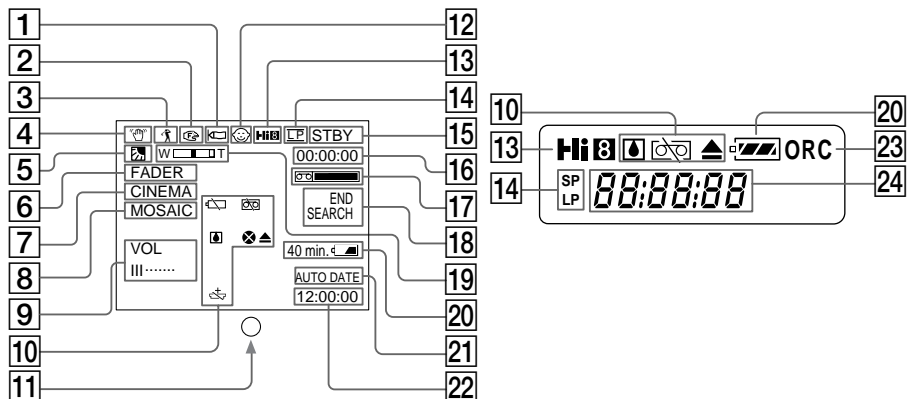
Attaching the shoulder strap

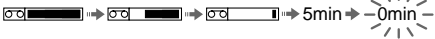

Attach the supplied shoulder strap to the hooks for the shoulder strap .



Operation indicators

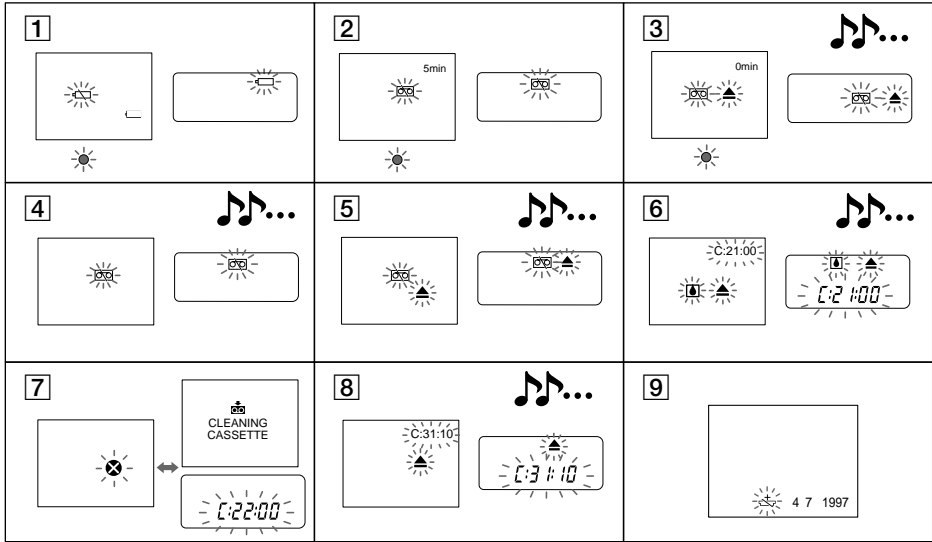
Viewfinder



- 1 WIND indicator (p. 27)
- 2 Manual focusing (p. 36)
- 3 PROGRAM AE indicator (p. 37)
- 4 Steady Shot indicator (p. 41)
- 5 Backlight indicator (p. 39)
- 6 FADER indicator (p. 30)
- 7 Wide mode indicator (p. 31)
- 8 PICTURE EFFECT indicator (p. 33)
- 9 LCD BRIGHT indicator (p. 15)/VOLUME indicator (p. 20)
- 10 Warning indicators (p. 77)
- 11 Recording lamp (p. 10)
- 12 Mirror mode indicator (p. 16)
- 13 Playing back or recording in Hi8 format (p. 54)
- 14 Recording mode indicator (p. 12)
- 15 Video control mode (p. 20)
- 16 Tape counter (p. 12)/Self-diagnosis functions indicator (p. 68)
- 17 Remaining tape indicator

- 18 END SEARCH indicator (p. 23)
- 19 Exposure indicator (p. 40)/Zoom indicator (p. 13)
- 20 Remaining battery indicator

- 21 Auto DATE indicator (p. 45)
- 22 Date or time indicator (p. 45)
- 23 ORC indicator (p. 46)
- 24 Date or time indicator (p. 45)/Tape counter indicator (p. 12)/Self-diagnosis functions indicators (p. 68)

Warning indicators

If indicators flash in the viewfinder or in the display window, check the following:
 ♪: you can hear the beep sound when the BEEP is set to ON.



- | | |
|---------------------------------------------------------------------------------------------------------------------------------------------------------------------------------------------------------------------------------------------------------------------------------------------------------------------------------------------------------------------------------------------------------|-----------------------------------------------------------------------------------------------------------------------------------------------------------------------------------------------------------------------------------------------------------------------------------------------------------------------------------------------------------------------------------------------------|
| <p>1 The battery is weak or dead.
 Slow flashing: The battery is weak.
 Fast flashing: The battery is dead.</p> <p>2 The tape is near the end.
 The flashing is slow.</p> <p>3 The tape has run out.
 The flashing becomes rapid.</p> <p>4 No tape has been inserted.</p> <p>5 The tab on the tape is out (red).</p> | <p>6 Moisture condensation has occurred.</p> <p>7 The video heads may be contaminated.</p> <p>8 Some other trouble has occurred.
 Use the self-diagnosis function (p. 68).
 If the display does not disappear contact your Sony dealer or local authorized Sony service facility.</p> <p>9 The lithium battery is weak or is not installed.</p> |
|---------------------------------------------------------------------------------------------------------------------------------------------------------------------------------------------------------------------------------------------------------------------------------------------------------------------------------------------------------------------------------------------------------|-----------------------------------------------------------------------------------------------------------------------------------------------------------------------------------------------------------------------------------------------------------------------------------------------------------------------------------------------------------------------------------------------------|

To watch the demonstration

You can start the demonstration by setting DEMO MODE in the menu system.
 You can also start the demonstration by the following operation.

To enter demo mode

- (1) Eject the cassette and set the POWER switch to VTR.
- (2) Turn STANDBY up to STANDBY.
- (3) While holding down ▷ set the POWER switch to CAMERA.

To exit demo mode

- (1) Set the POWER switch to VTR.
- (2) Turn STANDBY up to STANDBY.
- (3) While holding down □ set the POWER switch to CAMERA.

Index

A, B

Adjusting viewfinder	11
AFM HiFi Sound	29, 54
ANTI GROUND	
SHOOTING	14
Auto focus	35
AUTO DATE	28
Backlight	39
Beep	12

C, D

Camera recording	10
Car battery	25
Charging battery	6
Cleaning video heads	59
Clock set	53
Connection	47
COUNTER RESET	12
DATE/TIME	45
DEMO	28, 77
Digital zoom	13
DISPLAY	21
DNR	29

E

EDIT	29
Editing	48
EDITSEARCH	19
END SEARCH	23
Exposure	40

F, G, H

Fade-in/fade-out	30
FADER	30

I, J, K, L

LANC	71
Lithium battery	52

M, N

Mains	24
Manual focus	36
Menu system	26
MIC (microphone) jack	71

O, P

ORC	46
PICTURE EFFECT	33
Playback pause	22
Power sources	24
Power zoom	13
PROGRAM AE	37

Q, R

Rec review	19
Recording mode	27
Remote control jack (LANC)	71

S

Self-diagnosis function	68
Shoulder strap	75
Skip scan	22
Standby mode	10
STEADY SHOT	41

T, U, V

Tape counter	12
TBC	29
Title	42
Tripod mounting	17
Trouble check	64

W, X, Y, Z

Watching on a TV	47
WIDE mode	31
WIND	27
Zoom	13

